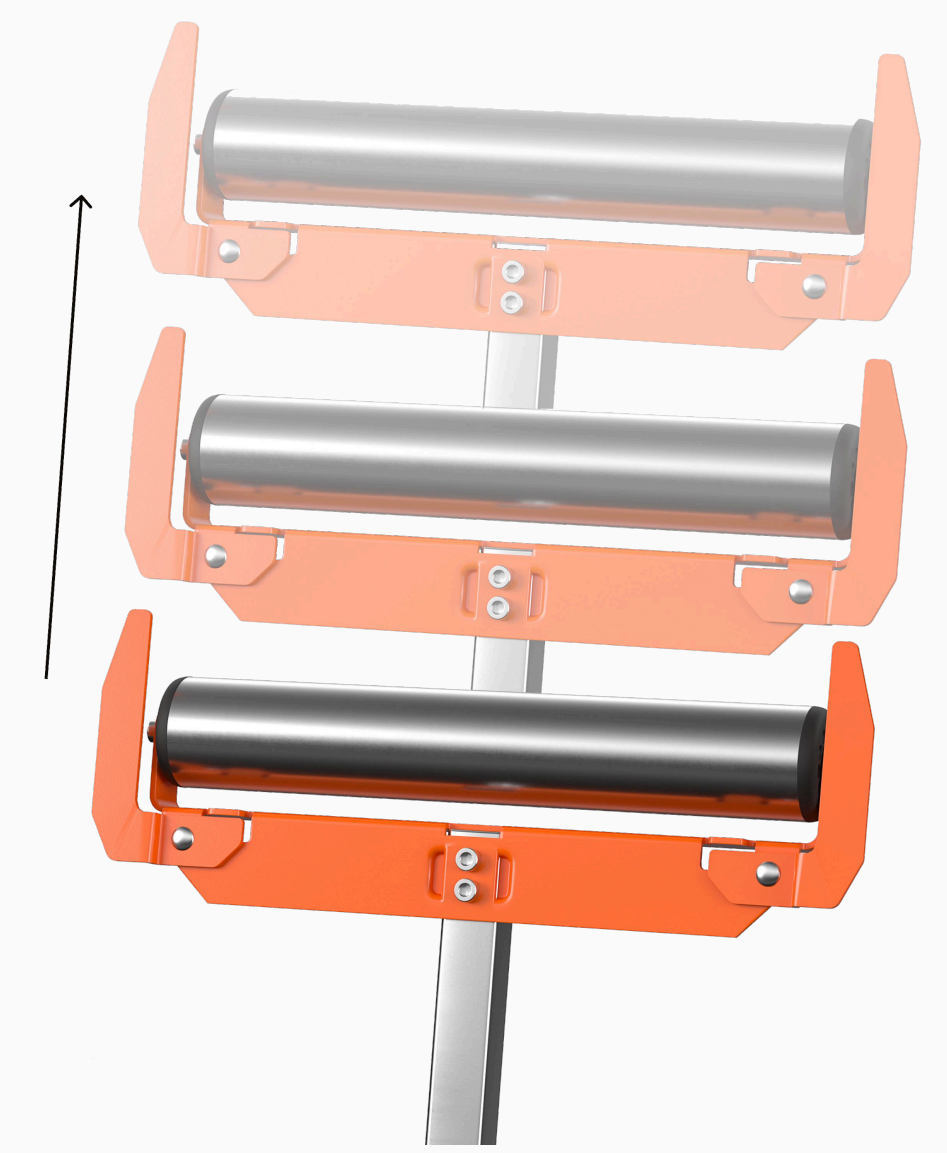
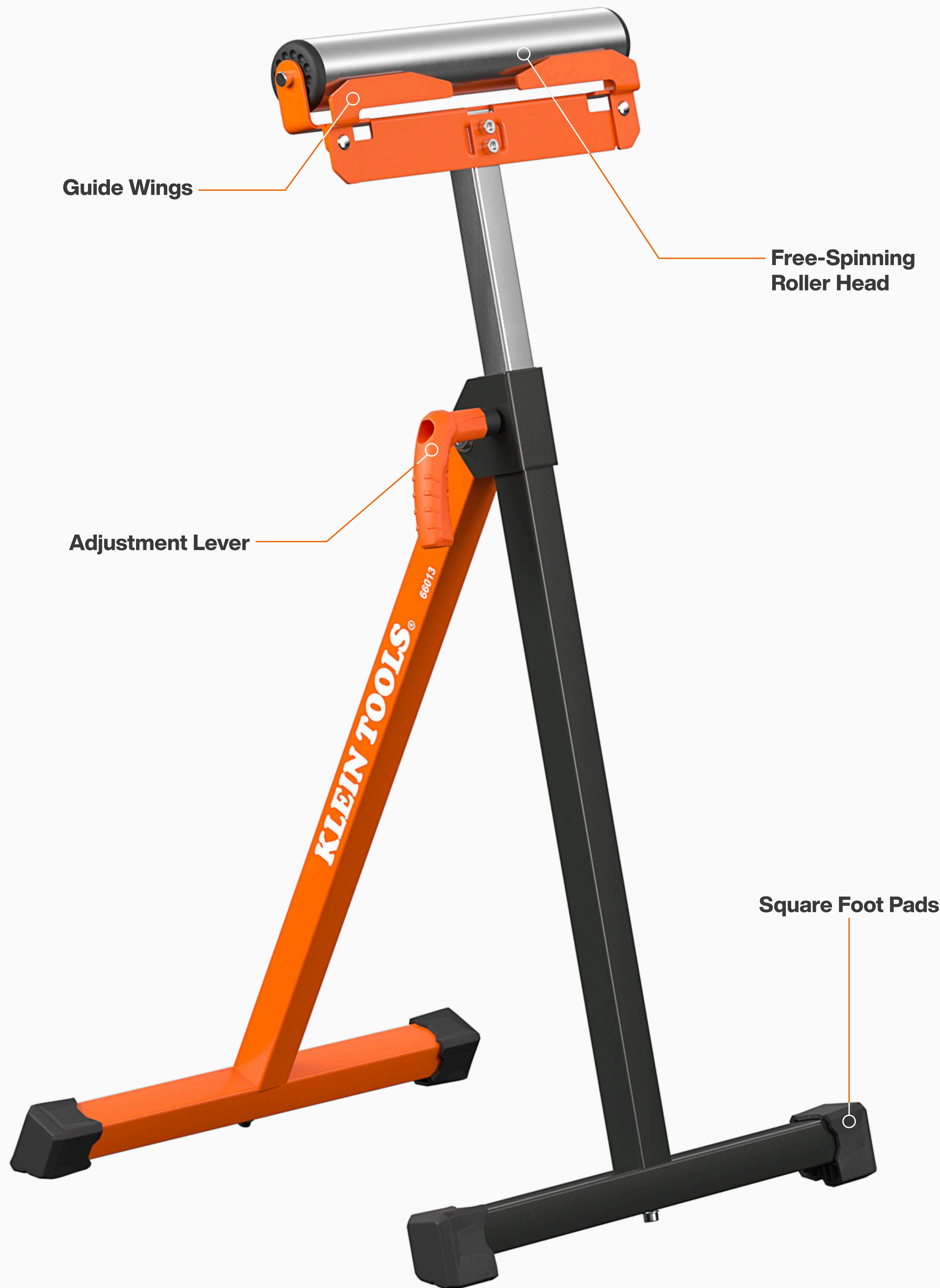


# Adjustable-Height Roller Stand

200lb Capacity With Quick Adjustments  
For Stability And Accuracy

## 200lb Load Capacity



**Easily Adjustable**  
Quickly goes from 27.5" to 43"



**Guide Wings**  
Keep materials stable and secure



**3-Step Assembly**  
Fast and easy

Cat. No.	UPC	Description
66013	0-92644-66013-9	Adjustable-Height Roller Stand

⚠ Visit [www.kleintools.com](http://www.kleintools.com) for warnings.

See our complete line of Construction. [www.kleintools.com](http://www.kleintools.com)



© 2026 Klein Tools, Inc. • Lincolnshire, IL 60069 • Rev. 01/26 C