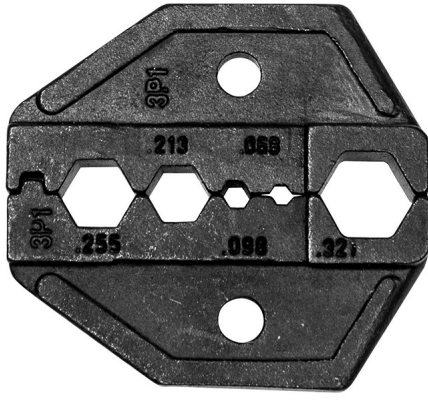




Crimp Die Set, RG58, RG59, RG6, RG62



Klein Tools VDV211-041 RG6/58/59/62 Coaxial Cable Die Set is for use with Klein's VDV200-010 Replacement Ratcheting Crimping Frame with Hex Crimp Connectors (sold separately). Made from induction hardened high-carbon steel for durability and long life. Designed to be easy to change from one to the next and for multiple uses.

Specifications

Application:	Cable Connection	Die Set:	RG58, RG59, RG6, RG62
Nest Dimension:	0.255"/0.213"/0.098"/0.068"/0.321" 6.48/5.41/2.49/1.73/8.15 mm	Weight:	2.9 oz (82 g)