

The Klein Tools KTB2 is a lithium-ion powered portable battery (power bank) designed to charge common mobile devices like cell phones, tablets, portable batteries, headphones, and other smaller USB devices. The KTB2 is equipped with class-leading, fast-charging capabilities on all of its ports, which include Type-A Qualcomm® Quick Charge™ Technology, USB Type-A (2.4A) and USB Type-C (3.5A). It also features a 200 lumen work light with multi-position kickstand. The rugged, compact design with impact-resistant housing makes the KTB2 a versatile battery for active, professional, and daily use.

GENERAL SPECIFICATIONS

- **Cell Type:** LG-18650
- **Cell Chemistry:** Li-Ion
- **Output Capacity:** 48Wh (13400 mAh)
- **Total Maximum Output (all ports):** 28W
- **Charging Time:** Approx. 5 hours at 5V / 2A
- **Qualcomm Quick Charge 3.0 USB type-A output (18W maximum):**
• 5 – 6V DC: 3A • 6 – 9V DC: 2A • 9 – 12V DC: 1.5A
- **USB type-C input/output (18W maximum):** 5.25V DC: 3A
- **USB type-A (15W maximum):** 5.25V DC: 2.4A
- **Light Output:** High: 170 lumens, Low: 100 lumens
- **Battery Life (using light only):** High: 25 hours, Low: 36 hours
- **Shelf Life:** Charge every 3 months
- **Life Expectancy:** Up to 300 cycles typical (depending on use & care)
- **Charging Requirements:** Maximum 5V DC, minimum 1A recommended
- **Operating/Charging Temperature:** 32° to 104°F (0° to 40°C)
- **Storage Temperature:** Up to 3 months: 14° to 104°F (-10° to 40°C)
- **Storage Humidity:** <75% Relative humidity
- **Operating/Storage Altitude:** 6562 ft. (2000 m)
- **Dimensions:** 3.5" x 5.7" x 1" (88 mm x 145 mm x 26 mm)
- **Weight:** 12 oz. (342 g)
- **Relative Humidity:** <85% non-condensing
- **Drop Protection:** 6.6 ft. (2 m)
- **Ingress Protection:** IP65
- **Standards:** UL2056: 2015, UL60950-1, EU 2015/863, EC 1907/2006, EN55032:2015, EN61000-3-2:2014, EN61000-3-3: 2013, EN55035: 2017, ICES – 003:2016, IEC 60950-1: 2006, CAN ICES-3(B)/NMB-3(B)



Specifications subject to change.

⚠ WARNINGS

Read, understand, and follow these instructions to ensure safe operation. Failure to observe these warnings can result in risk of fire, electric shock, serious injury and/or property damage.

- Keep these instructions for future reference.
- **DO NOT** use the power bank in excess of its output rating. Overload outputs above rating may result in a risk of fire or injury to persons.
- Use of a power supply, charger, or cable not recommended or sold by power pack manufacturer may result in a risk of fire or injury to persons.
- **DO NOT** use the power bank that is damaged or modified. Damaged or modified batteries may exhibit unpredictable behavior resulting in fire, explosion or risk of injury.
- **DO NOT** subject to vibration, impacts, or drops. The housing may not show signs of damage, but internal components may have been compromised. It is advisable to replace the unit if any such severe events occur.
- **DO NOT** expose power bank to rain or snow.
- Keep away from high voltage devices.
- **DO NOT** attempt to repair battery or charging cable. There are no user-serviceable parts.
- Risk of Fire and Burns. Do Not Open, Crush, Heat Above 140°F (60°C), or Incinerate. Follow Manufacturer's Instructions.

SYMBOLS ON PRODUCT

- ⚠ Warning or Caution
- ⚡ Risk of Electrical Shock
- 📖 Read instructions before using
- CE Conformité Européenne. Conforms with European Economic Area directives
- ♻ WEEE – Battery disposal
- ♻ Recyclable
- BC Conforms with BCS regulations of California Energy Commission
- 📄 This product has been independently tested by Intertek and meets applicable published standards
- 🔌 Qualcomm® Quick Charge technology

FEATURE DETAILS (FIG.A)

- 1 Battery Level Indicator
- 2 Battery status / worklight button
- 3 Auto-Sensing Qualcomm® Quick Charge port (USB-A)
- 4 Auto-Sensing Input/Output port (USB-C)
- 5 Auto-Sensing 2.4A charging port (USB-A)
- 6 Port Cover
- 7 170 Lumen Work Light
- 8 Kickstand

CLEANING

Be sure KTB2 is disconnected from all power sources and devices. Use clean, dry, soft-lint-free cloth to wipe down the entire unit.

Do not use abrasive cleaners or solvents.

MAINTENANCE

Recharge as needed. There are no pre-designated intervals at which to recharge as long as you are using regularly. Avoid discharging completely on a regular basis, as this can impact overall life.

Regularly inspect ports and charging cable for any debris, dirt, damage, and corrosion. **DO NOT** attempt to fix. Replace KTB2 or cable as needed.

STORAGE

If storing for more than 1 month, charge completely before storage, and recharge approximately every 3 months to avoid full discharge and any permanent damage.

Store in cool temperatures, mild humidity, and away from direct sunlight (See General specifications). Leaving in a vehicle or other confined spaces in extreme hot temperatures can lead to decrease in service life, overheating, or fire. Extreme cold temperatures below the specified storage range can also harm performance and service life.

Keep away from corrosive chemicals and gases.

After taking out of storage, inspect visually to make sure KTB2 and all accessories look satisfactory. Allow unit to return to ambient conditions before recharging or charging other devices.

WARRANTY

www.kleintools.com/warranty

DISPOSAL / RECYCLE



Do not place equipment and its accessories in the trash. Items must be properly disposed of in accordance with local regulations. Please see www.epa.gov or www.erecycle.org for additional information.

OPERATING INSTRUCTIONS

SEE OTHER SIDE

CUSTOMER SERVICE

KLEIN TOOLS, INC.
450 Bond Street, Lincolnshire, IL 60069 1-877-775-5346
customerservice@kleintools.com www.kleintools.com

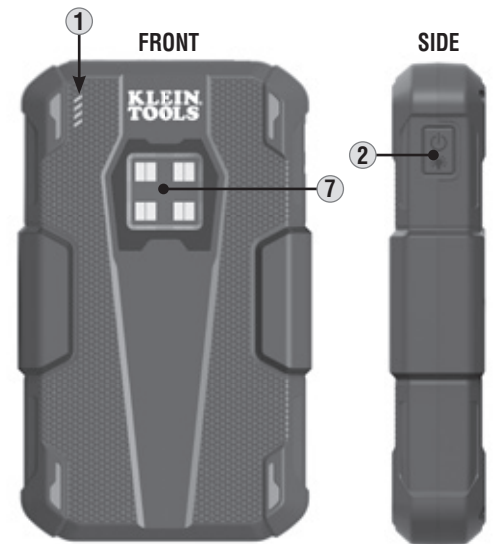


KTB-2

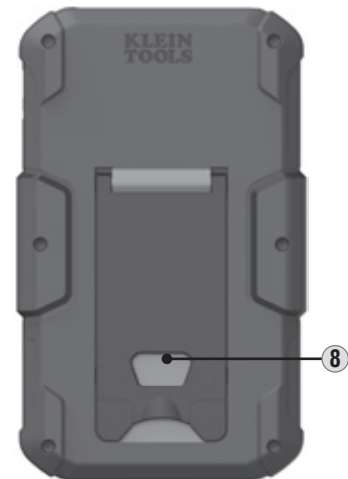
13400mAh PORTABLE BATTERY - INSTRUCTIONS



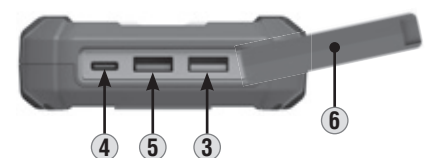
FIG. A



BACK



BOTTOM



Qualcomm is a trademark of Qualcomm Incorporated, registered in the United States and other countries.

Quick Charge is a trademark of Qualcomm Incorporated. All Qualcomm Incorporated trademarks are used with permission.

Qualcomm Quick Charge is a product of Qualcomm Technologies, Inc. and/or its subsidiaries.

OPERATING INSTRUCTIONS

Read these instructions carefully before operating and keep for future reference.

CHARGING KTB2

NOTE: DO NOT attempt to insert other USB connector types into USB-A or USB-C ports (FIG. B)

NOTE: Charge completely before using. To maximize Li-ion battery life, see Maintenance and Storage sections (other side).

When the USB ports are properly sealed with the Port Cover (6), the KTB2 is rated for IP65 ingress protection (dustproof and resistant to low-pressure direct water contact). Functionality is limited to the work light ONLY in wet/damp or dusty conditions, and should not be recharged or used for charging other devices in such conditions.

- Connect the provided cable to the USB-C Input/Output port (4), then connect the other end to any powered standard USB-A port.
- The battery level indicator LEDs (1) will illuminate (see Table 1).
- A full charge could take 4 to 10 hours, depending on the charger's output.

PASS-THRU DEVICE CHARGING

- Connect KTB2 to a charging source (i.e. wall charger), then connect your device to any of the output ports.
- In this configuration, the connected device will first charge completely, then KTB2 will begin charging. If the device is disconnected before fully charging, KTB2 will begin charging immediately.

TABLE 1

LED	Status	% Charged
○	Not Illuminated	
●	Solid Green	
◐	Blinking Green	
●	Solid Red	
◑	Blinking Red	
○	Bottom LED blinking red	0% to 10% charged
◐	Bottom LED blinking green	11% to 25% charged
◑	Bottom LED solid green Next LED blinking green	26% to 50% charged
●	Bottom 2 LEDs solid green Next LED blinking green	51% to 75% charged
◑	Bottom 3 LEDs solid green Next LED blinking green	76% to 99% charged
●	All LEDs solid green	100% charged

BATTERY STATUS INDICATORS

Press the power button (2) to check KTB2's battery level (Table 2). The indicator LEDs (1) will automatically turn off after 10 seconds if the power button is not pressed, or no device is connected for charging. The indicator LEDs will remain illuminated until charging is complete. **NOTE:** If no load is detected within 5 seconds of the LEDs turning off, the outputs (3, 4, 5) will shut down.

TABLE 2

LED	Status	% Charged
○	Not Illuminated	
●	Solid Green	
◐	Blinking Green	
●	Solid Red	
◑	Blinking Red	
●	All LEDs solid green	76% to 100% charge remaining
○	Top LED off, bottom 3 LEDs solid green	51% to 75% charge remaining
○	Top 2 LEDs off, bottom 2 LEDs solid green	26% to 50% charge remaining
○	Bottom LED solid green	11% to 25% charge remaining
◑	Bottom LED blinking red	1% to 10% charge remaining
○	No LEDs illuminated	0% charge remaining, recharging required

OPERATING INSTRUCTIONS

CHARGING DEVICES

NOTE: For best results, use cable provided.

Auto-Sensing ports: The outputs (3, 4, 5) will automatically turn on when a device is connected. **NOTE:** Certain devices that require very low current to charge may not be detected by the auto-sensing feature. For such devices, press the power button (2) to begin charging.

1. Connect the charging cable to one of KTB2's USB ports (3, 4, 5).
2. Connect the cable to the device's charging port. The battery status indicator LEDs (1) illuminate and charging begins. LEDs will remain illuminated as long as charging is occurring. The device being charged should also provide indication that charging has begun.

KTB2 will automatically shut down once charging is complete and current is no longer being drawn.

USING WORK LIGHT

Quick-press the Power Button (2) twice to turn on the work light at high (200 lumens) setting. The battery status indicator LEDs will illuminate. Quick-press twice again to enter the low (100 lumens) setting. Quick-press twice again to turn off the work light.

The KTB2 features a built-in kickstand (8) for hands-free illumination of the work area. Simply lift the stand and position to the desired angle (FIG. C).

Other devices can be charged while using the work light, however, this will effect the operation time of the light, based on the device's power requirement. If the light will be used for long periods of time while devices are being charged, it is recommended to switch to the low (100 lumens) setting to maximize battery life and capacity. Disconnect the device once it is completely charged to divert power back to the light.

TROUBLESHOOTING

The KTB2 has built-in advanced protection to prevent damage to the battery. The battery has protection for Output over-current, Short-circuit, Voltage drop, and High/Low Temperature. If any of these occur, refer to Table 3:

TABLE 3

LED	Possible Issue
○	Not Illuminated
●	Solid Green
◐	Blinking Green
●	Solid Red
◑	Blinking Red
○	Over-current or short circuit: KTB2 will automatically shut down. Disconnect KTB2 from the charger or device being charged. Wait for 5-seconds and then reconnect the device being charged or battery charger. Press the power button to reset and begin charging.
◑	High or low temperature: If KTB2 senses abnormal operating temperatures, high or low, it will shut down. It will not recharge or charge until the battery returns to normal operating temperatures (See Operating temperature section). All status LEDs will flash green for 2 seconds if the power button is pressed. The LED status will return to normal status (See tables 1 & 2) ONLY after KTB2 senses normal temperatures. Disconnect KTB2 from all chargers and devices.
○	Voltage drop: If KTB2's voltage level drops (discharge over time or simply drained completely), it will enter Low Power Protection Mode. The bottom LED will illuminate solid red for 2 seconds when the power button is pressed. KTB2 will NOT support any device charging at this time, and must be recharged to a minimum of 5% before the output ports will activate for charging.

KTB2 will not recharge if:

1. The cable is not properly connected to charger output or battery input. **Check connection.**
2. The charging cable is damaged. **Replace with equivalent cable.**
3. The charging port or device is not able to supply the minimum voltage and current for charging. **Connect to appropriate charging source.**
4. The connector on the charger or battery is damaged. **Replace charger or battery.**
5. An internal battery fault has occurred inside KTB2, preventing the battery from recharging. See scenarios above. If none apply, KTB2 may be damaged. **Contact Klein Tools Customer Service. DO NOT ATTEMPT TO REPAIR.**

FIG. B

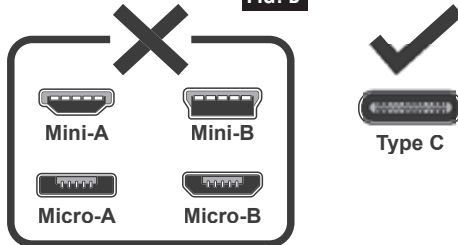


FIG. C



La KTB2 de Klein Tools es una batería portátil (cargador) de iones de litio diseñada para cargar dispositivos móviles comunes como teléfonos celulares, tabletas, baterías portátiles, audífonos y otros dispositivos USB pequeños. La KTB2 está equipada con capacidades de carga rápida únicas en su clase en todos sus puertos, que incluyen la tecnología Tipo A Quick Charge™ de Qualcomm®, USB Tipo A (2,4 A) y USB Tipo C (3,5 A). También cuenta con una luz de trabajo de 200 lúmenes con pie de apoyo de múltiples posiciones. El diseño resistente y compacto con carcasa resistente a impactos convierte a la KTB2 en una batería versátil para el uso diario, activo y profesional.

ESPECIFICACIONES GENERALES

- **Tipo de celda:** LG-18650
- **Química de la celda:** Iones de litio
- **Capacidad de salida:** 48 Wh (13 400 mAh)
- **Máximo total de salida (todos los puertos):** 28 W
- **Tiempo de carga:** Aprox. 5 horas a 5 V/2 A
- **Salida USB 3.0 tipo A Quick Charge de Qualcomm (máximo 18 W):** • 5 – 6 V CD: 3 A • 6 – 9 V CD: 2 A • 9 – 12 V CD: 1,5 A
- **Entrada/salida USB tipo C (máximo 18 W):** 5, 25 V CD: 3 A
- **USB tipo A (máximo 15 W):** 5, 25 V CD: 2,4 A
- **Salida de luz:** Alta: 170 lúmenes, Baja: 100 lúmenes
- **Vida útil de la batería (luz solamente):** Alta: 25 horas, Baja: 36 horas
- **Vida útil de almacenamiento:** Carga cada 3 meses
- **Vida útil esperada:** hasta 300 ciclos normales (dependiendo del uso y el cuidado)
- **Requisitos de carga:** Máximo 5 V CD, se recomienda mínimo 1 A
- **Temperatura de funcionamiento/carga:** 32 °F a 104 °F (0 °C a 40 °C)
- **Temperatura de almacenamiento:** hasta 3 meses: 14 °F a 104 °F (-10 °C a 40 °C)
- **Humedad de almacenamiento:** <75 % de humedad relativa
- **Altitud de funcionamiento y almacenamiento:** 6562' (2000 m)
- **Dimensiones:** 3,5" x 5,7" x 1" (88 mm x 145 mm x 26 mm)
- **Peso:** 12 oz (342 g)
- **Humedad relativa:** <85 %, sin condensación
- **Protección ante caídas:** 6,6' (2 m)
- **Protección de ingreso:** IP65
- **Normas:** UL2056: 2015, UL60950-1, EU 2015/863, EC 1907/2006, EN55032:2015, EN61000-3-2:2014, EN61000-3-3: 2013, EN55035: 2017, ICES – 003:2016, IEC 60950-1: 2006, CAN ICES-3(B)/NMB-3(B)

Especificaciones sujetas a cambios.

ADVERTENCIAS

Lea, comprenda y siga estas instrucciones para garantizar un funcionamiento seguro. El incumplimiento de estas advertencias puede provocar riesgo de incendio, choque eléctrico, lesiones personales y/o daños materiales graves.

- Conserve estas instrucciones para consultarlas en el futuro.
- **NO** use la batería excediendo la capacidad de salida. Las sobrecargas de salida por encima de la capacidad pueden provocar riesgo de incendio o lesiones personales.
- Usar una fuente de alimentación, cargador o cable no recomendado ni vendido por el fabricante de la batería puede provocar riesgo de incendio o lesiones personales.
- **NO** use la batería si ha sido dañada o modificada. Las baterías dañadas o modificadas pueden presentar comportamientos impredecibles que pueden provocar incendios, explosiones o riesgo de lesiones.
- **NO** la someta a vibraciones, impactos o caídas. La carcasa puede que no muestre señales de daño, pero los componentes internos pueden haber estado comprometidos. Se recomienda reemplazar la unidad si sufre alguno de estos eventos de gravedad.
- **NO** exponga la batería a la lluvia ni a la nieve.
- Mantenga la unidad lejos de dispositivos de alto voltaje.
- **NO** intente reparar la batería o el cable de carga. No contiene piezas que el usuario pueda reparar.
- **Riesgo de incendio y quemaduras.** No abra, aplaste, caliente a más de 140 °F (60 °C), ni incinere. Siga las instrucciones del fabricante.

SÍMBOLOS DEL PRODUCTO

- ⚠ Advertencia o precaución
- ⚡ Riesgo de choque eléctrico
- i Lea las instrucciones antes de usarlo
- CE Conformité Européenne. Cumple con las normas del Espacio Económico Europeo
- ♻ WEEE – Eliminación de la batería
- ♻ Reciclable
- BC Cumple con las normas BCS de la Comisión de Energía de California
- ETL Este producto ha sido probado de manera independiente por Intertek y cumple con las normas publicadas vigentes
- QC Tecnología Quick Charge de Qualcomm®

DETALLES DE LAS CARACTERÍSTICAS (FIG. A)

- 1 Indicador del nivel de batería
- 2 Estado de la batería/botón de luz de trabajo
- 3 Puerto de detección automática Quick Charge de Qualcomm® (USB-A)
- 4 Puerto de entrada/salida de detección automática (USB-C)
- 5 Puerto de carga de 2,4 A de detección automática (USB-A)
- 6 Cubierta del puerto
- 7 Luz de trabajo de 170 lúmenes
- 8 Pie de apoyo

LIMPIEZA

Asegúrese de que la KTB2 esté desconectada de cualquier fuente o dispositivo electrónico. Utilice un paño limpio, seco y suave que no deje pelusas para limpiar toda la unidad. **No utilice solventes ni limpiadores abrasivos.**

MANTENIMIENTO

Recargue según sea necesario. No hay intervalos predefinidos según los cuales se deba recargar, siempre y cuando use la batería regularmente. Evite descargarla completamente de manera regular, ya que esto puede afectar su vida útil general.

Inspeccione regularmente los puertos y el cable de carga, verificando que no tengan residuos, suciedad, daños y corrosión. **NO** intente repararla. Reemplace la KTB2 o su cable, según sea necesario.

ALMACENAMIENTO

Si la almacena por más de 1 mes, cárguela completamente antes de almacenarla, y recárguela aproximadamente cada 3 meses para evitar que se descargue completamente o tenga un daño permanente.

Almacénela en un ambiente fresco, con humedad leve, y lejos de la luz solar directa (ver Especificaciones generales). Si la deja en un vehículo o en otros espacios reducidos bajo temperaturas extremadamente altas, se puede reducir su vida útil, provocar sobrecalentamiento o un incendio. Las temperaturas extremadamente frías, por debajo del rango de almacenamiento especificado también pueden afectar el rendimiento y la vida útil de la batería.

Manténgala alejada de gases y sustancias químicas corrosivas. Después de retirarla del almacenamiento, realice una inspección visual para asegurarse de que la apariencia de la KTB2 y de todos sus accesorios es correcta. Permita que la unidad regrese a condiciones de ambiente antes de recargarla o cargar otros dispositivos.

GARANTÍA

www.kleintools.com/warranty

ELIMINACIÓN/RECICLAJE



No arroje el equipo ni sus accesorios a la basura. Los elementos se deben desechar correctamente de acuerdo con las regulaciones locales. Visite www.epa.gov o www.erecycle.org para obtener más información.

INSTRUCCIONES DE FUNCIONAMIENTO

VER EN EL REVERSO

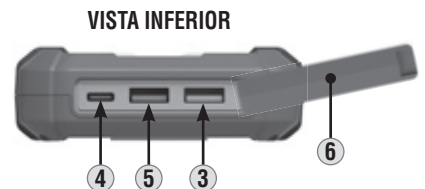
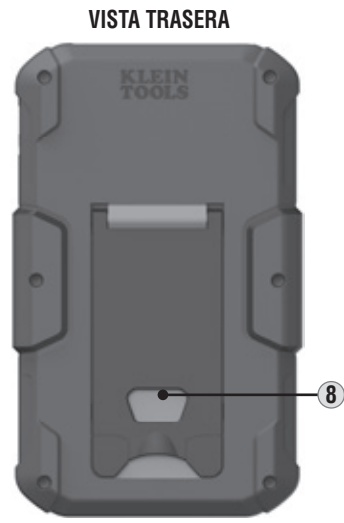
SERVICIO AL CLIENTE

KLEIN TOOLS, INC.
450 Bond Street, Lincolnshire, IL 60069 1-877-775-5346
customerservice@kleintools.com www.kleintools.com



KTB-2

BATERÍA PORTÁTIL DE 13 400 mAh - INSTRUCCIONES



Qualcomm es una marca registrada de Qualcomm Incorporated, registrada en los Estados Unidos y otros países.

Quick Charge es una marca registrada de Qualcomm Incorporated. Todas las marcas registradas de Qualcomm Incorporated se usan con permiso.

Qualcomm Quick Charge es un producto de Qualcomm Technologies, Inc. y/o sus subsidiarias.

INSTRUCCIONES DE FUNCIONAMIENTO

Lea estas instrucciones con atención antes de usar la batería y consérvelas para consultarlas en el futuro.

CARGAR LA KTB2

NOTA: NO intente insertar otros tipos de conector USB en los puertos USB-A o USB-C (FIG. B)

NOTA: cárguela completamente antes de usarla. Para maximizar la vida útil de la batería de iones de litio, vea las secciones Mantenimiento y Almacenamiento (en el reverso).

Cuando los puertos USB están sellados adecuadamente bajo la cubierta del puerto (6), la KTB2 cuenta con protección de ingreso IP65 (a prueba de polvo y resistente al contacto directo del agua a baja presión). La funcionalidad de la luz de trabajo se limita SOLAMENTE a condiciones húmedas o con polvo, y no debe recargarse ni utilizarse para cargar otros dispositivos en tales condiciones.

- Conecte el cable incluido al puerto de entrada/salida USB-C (4), después conecte el otro extremo a cualquier puerto estándar USB-A de alimentación de energía.
- Los LED del indicador del nivel de la batería (1) se encenderán (ver Tabla 1).
- Una carga completa podría tomar de 4 a 10 horas, dependiendo de la salida del cargador.

CARGA DEL DISPOSITIVO PASS-THRU

- Conecte la KTB2 a una fuente de carga (es decir, un cargador de pared), luego conecte su dispositivo a cualquiera de los puertos de salida.
- En esta configuración, el dispositivo conectado se cargará primero completamente, luego la KTB2 comenzará a cargar. Si el dispositivo se desconecta antes de cargarse completamente, la KTB2 comenzará a cargarse inmediatamente.

TABLA 1

No se enciende	Verde fijo	Verde intermitente	Rojo fijo	Rojo intermitente
○	●	◐	●	◐
LED	Estado	Porcentaje de carga		
○	LED del fondo en rojo intermitente	0 % a 10 % de carga		
○	LED del fondo en verde intermitente	11 % a 25 % de carga		
○	LED del fondo en verde fijo El siguiente LED en verde intermitente	26 % a 50 % de carga		
○	Los 2 LED del fondo en verde fijo El siguiente LED en verde intermitente	51 % a 75 % de carga		
○	Los 3 LED del fondo en verde fijo El siguiente LED en verde intermitente	76 % a 99 % de carga		
○	Todos los LED en verde fijo	100 % de carga		

INDICADORES DE ESTADO DE LA BATERÍA

Presione el botón de encendido (2) para revisar el nivel de la batería de la KTB2 (Tabla 2). Los LED indicadores (1) se encenderán, y se apagaran automáticamente después de 10 segundos si no se presiona el botón de encendido, o no se conecta ningún dispositivo para cargar. Los indicadores LED seguirán encendidos hasta que se complete la carga. **NOTA:** Si después de apagar los LED no se detecta carga en 5 segundos, las salidas (3, 4, 5) se apagaran.

TABLA 2

No se enciende	Verde fijo	Verde intermitente	Rojo fijo	Rojo intermitente
○	●	◐	●	◐
LED	Estado	Porcentaje de carga		
○	Todos los LED en verde fijo	76 % a 100 % de carga restante		
○	LED superior apagado, Los 3 LED del fondo en verde fijo	51 % a 75 % de carga restante		
○	LED 2 superior apagado, Los 2 LED del fondo en verde fijo	26 % a 50 % de carga restante		
○	LED del fondo en verde fijo	11 % a 25 % de carga restante		
○	LED del fondo en rojo intermitente	1 % a 10 % de carga restante		
○	Ningún LED encendido	0 % de carga restante, se debe recargar		

INSTRUCCIONES DE FUNCIONAMIENTO

CARGAR DISPOSITIVOS

NOTA: para obtener mejores resultados, utilice el cable proporcionado.

Puertos de detección automática: Las salidas (3, 4, 5) se encenderán automáticamente cuando se conecte un dispositivo. **NOTA:** ciertos dispositivos que se cargan con poca corriente pueden no ser detectados por la función de detección automática. Para dichos dispositivos, presione el botón de encendido (2) para comenzar a cargar.

1. Conecte el cable de carga a unos de los puertos USB (3, 4, 5) de la KTB2.
2. Conecte el cable al puerto de carga del dispositivo. Los LED indicadores del estado de la batería (1) se encenderán y comenzará la carga. Los LED seguirán encendidos mientras se esté cargando el dispositivo. El dispositivo que está cargando también debe indicar que la carga ha comenzado.

La KTB2 se apagará automáticamente cuando haya completado la carga y no se extraiga más corriente.

USAR LA LUZ DE TRABAJO

Presione rápidamente el botón de encendido (2) dos veces para encender la luz de trabajo con intensidad alta (200 lúmenes). Los LED indicadores de estado de la batería se encenderán. Vuelva a presionar rápidamente dos veces para cambiar a intensidad baja (100 lúmenes). Vuelva a presionar rápidamente dos veces para apagar la luz de trabajo.

La KTB2 cuenta con un pie de apoyo incorporado (8) para tener iluminación con manos libres en el área de trabajo. Simplemente levante el soporte y colóquelo en el ángulo deseado (FIG. C).

Se pueden cargar otros dispositivos mientras se utiliza la luz de trabajo, sin embargo, esto afectará el tiempo de funcionamiento de la luz, en función del requisito de alimentación del dispositivo. Si la luz se va a utilizar durante largos períodos mientras se cargan los dispositivos, se recomienda cambiar a intensidad baja (100 lúmenes) para maximizar la vida útil y la capacidad de la batería. Una vez se complete la carga, desconecte el dispositivo para desviar la energía de vuelta a la luz.

SOLUCIÓN DE PROBLEMAS

La KTB2 cuenta con una protección avanzada incorporada para prevenir daños a la batería. La batería cuenta con protección contra sobrecargas de salida, cortocircuitos, caídas de voltaje y temperaturas altas/bajas. Si se presenta alguno de estos eventos, consulte la Tabla 3:

TABLA 3

No se enciende	Verde fijo	Verde intermitente	Rojo fijo	Rojo intermitente
○	●	◐	●	◐
LED	Posible problema			
○	Sobrecarga o cortocircuito: La KTB2 se apagará automáticamente. Desconecte la KTB2 del cargador o del dispositivo que está cargando. Espere 5 segundos y luego vuelva a conectar el dispositivo que está cargando o el cargador de la batería. Presione el botón de encendido para reiniciar y comenzar a cargar.			
○	Temperatura alta o baja: Si la KTB2 detecta temperaturas de funcionamiento anormales, ya sean altas o bajas, se apagará. No se recargará o cargará hasta que la batería vuelva a la temperatura de funcionamiento normal (ver la sección Temperatura de funcionamiento). Todos los LED de estado se encenderán en verde por 2 segundos cuando se presiona el botón de encendido. El estado de LED volverá a indicar un estado normal (ver tablas 1 y 2) SOLO después de que la KTB2 detecte temperaturas normales. Desconecte la KTB2 de todos los cargadores y dispositivos.			
○	Caída de voltaje: Si cae el nivel de voltaje de la KTB2 (se descarga con el tiempo o simplemente se agotó por completo), entrará en modo de protección por baja energía. El LED del fondo se encenderá en rojo fijo por 2 segundos cuando se presiona el botón de encendido. La KTB2 NO admitirá cargar ningún dispositivo en este estado, y se debe recargar a un mínimo de 5 % antes de que se activen los puertos de salida para cargar.			

La KTB2 no se recargará si:

1. El cable no está conectado adecuadamente a la salida del cargador o a la entrada de la batería. **Revise la conexión.**
2. El cable de carga está dañado. **Reemplácelo con un cable similar.**
3. El dispositivo o puerto de carga no puede proporcionar la corriente y el voltaje mínimos para cargar. **Conecte a una fuente de carga adecuada.**
4. El conector en el cargador o la batería está dañado. **Reemplace el cargador o la batería.**
5. Se ha producido una falla interna de la batería al interior de la KTB2, lo que evita que esta se recargue. Ver los casos anteriores. Si ninguno aplica, la KTB2 puede estar dañada. **Comuníquese con el servicio al cliente de Klein Tools. NO INTENTE REPARARLA.**

FIG. B

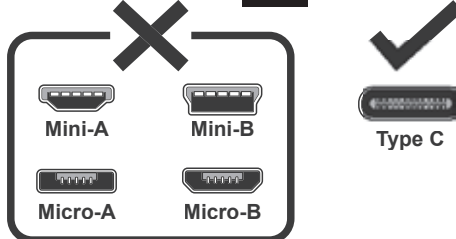


FIG. C



Le chargeur portatif KTB2 de Klein Tools, muni d'une batterie au lithium-ion, est conçu pour charger les appareils mobiles courants, comme des téléphones, des tablettes, des batteries portatives, des écouteurs et d'autres petits appareils alimentés par USB. Tous les ports du chargeur KTB2 sont dotés de capacités de chargement rapide de pointe, dont la technologie Quick Charge™ de Qualcomm® de type A et la technologie USB de type A (2,4 A) et C (3,5 A). Le chargeur comprend également une lampe de travail de 200 lumens munie d'une béquille multiposition. Sa conception robuste et compacte et son boîtier résistant aux chocs en font une source d'alimentation polyvalente convenant aux usages intensifs, professionnels ou quotidiens.

CARACTÉRISTIQUES GÉNÉRALES

- **Type d'élément** : LG-18650
- **Composition chimique de l'élément** : lithium-ion
- **Capacité en sortie** : 48 Wh (13 400 mAh)
- **Puissance de sortie totale maximale (tous les ports)** : 28 W
- **Temps de charge** : environ 5 heures à 5 V, 2 A
- **Port de sortie USB de type A Quick Charge 3.0 de Qualcomm (18 W maximum)** :
 - 5 à 6 V c.c. : 3 A
 - 6 à 9 V c.c. : 2 A
 - 9 à 12 V c.c. : 1,5 A
- **Port d'entrée et de sortie USB de type C (18 W maximum)** : 5,25 V c.c. : 3 A
- **Port USB de type A (15 W maximum)** : 5,25 V c.c. : 2,4 A
- **Puissance lumineuse** : Mode élevé : 170 lumens, Mode faible : 100 lumens
- **Durée de vie de la batterie** (fonction d'éclairage seulement) :
 - Mode élevé : 25 heures, Mode faible : 36 heures
- **Durée de stockage** : charger tous les 3 mois
- **Durée de vie** : jusqu'à 300 cycles courants (selon l'entretien et l'utilisation)
- **Exigences de charge** : maximum 5 V c.c., minimum 1 A comme recommandé
- **Température de fonctionnement et de charge** : 0 °C à 40 °C (32 °F à 104 °F)
- **Température d'entreposage** : jusqu'à 3 mois : -10 °C à 40 °C (14 °F à 104 °F)
- **Taux d'humidité pour le rangement** : < 75 % d'humidité relative
- **Altitude de fonctionnement ou d'entreposage** : 2000 m (6562 pi)
- **Dimensions** : 88 mm x 145 mm x 26 mm (3,5 po x 5,7 po x 1 po)
- **Poids** : 342 g (12 oz)
- **Humidité relative** : < 85 % sans condensation
- **Protection contre les chutes** : 2 m (6,6 pi)
- **Protection contre les infiltrations** : IP65
- **Normes** : UL 2056:2015, UL60950-1, EU 2015/863, EC 1907/2006, EN 55032:2015, EN 61000-3-2:2014, EN 61000-3-3:2013, EN 55035:2017, NMB-003:2016, IEC 60950-1:2006, CAN NMB-3(B)/NMB-3(B)



Les caractéristiques techniques peuvent faire l'objet de modifications.

AVERTISSEMENTS

Veillez lire, comprendre et suivre ces instructions afin de garantir une utilisation sécuritaire du chargeur. Le non-respect de ces avertissements peut entraîner un risque d'incendie, de choc électrique, de blessures graves ou de dommages matériels.

- Conservez ces instructions à des fins de référence.
- **NE dépassez PAS** la puissance de sortie du chargeur portatif. Une surcharge risque de causer un incendie ou des blessures.
- L'utilisation d'une source d'alimentation, d'un chargeur ou d'un câble autre que ceux recommandés ou vendus par le fabricant du chargeur risque de causer un incendie ou des blessures.
- **N'utilisez PAS** le chargeur portatif s'il est endommagé ou modifié. Des batteries endommagées ou modifiées risquent de produire des effets imprévisibles et de causer des incendies, des explosions ou des blessures.
- **N'exposez PAS** l'appareil à des vibrations, des chocs ou des chutes. Le boîtier pourrait sembler intact même si les composants internes sont endommagés. Il est recommandé de remplacer l'appareil s'il est soumis à des conditions extrêmes.
- **N'exposez PAS** le chargeur à la pluie ou à la neige.
- Conservez l'appareil à l'écart de l'équipement électrique à haute tension.
- **N'essayez PAS** de réparer la batterie ou le câble de chargement. Cet appareil ne contient aucune pièce réparable par l'utilisateur.
- Risque d'incendie et de brûlures : N'ouvrez pas cet appareil, ne l'écrasez pas, ne le chauffez pas à plus de 60 °C (140 °F) et ne le brûlez pas. Suivez les instructions du fabricant.

SYMBOLES SUR LE PRODUIT

- ⚠ Avertissement ou mise en garde
- ⚡ Risque de choc électrique
- 📖 Lire les instructions avant d'utiliser le chargeur
- CE Conformité européenne. Conforme aux directives de l'Espace économique européen
- ♻ DEEE – mise au rebut de la batterie
- ♻ Recyclable
- Ⓢ Conforme à la réglementation de la California Energy Commission relativement aux systèmes de chargeurs de pile (BCS)
- 📄 Ce produit a été testé de manière indépendante par Intertek et répond aux exigences des normes applicables
- 🔌 Technologie Quick Charge de Qualcomm®

CARACTÉRISTIQUES DÉTAILLÉES (FIG. A)

- 1 Indicateur de charge de la batterie
- 2 Bouton d'état de la batterie/lampe de travail
- 3 Port à détection automatique Quick Charge de Qualcomm® (USB-A)
- 4 Port d'entrée et de sortie à détection automatique (USB-C)
- 5 Port de chargement à détection automatique de 2,4 A (USB-A)
- 6 Capuchon pour le port
- 7 Lampe de travail de 170 lumens
- 8 Béquille

NETTOYAGE

Assurez-vous de débrancher le chargeur KTB2 de toute source d'alimentation et de tout appareil. Utilisez un linge propre, sec et non pelucheux pour essuyer tout le chargeur. **N'utilisez pas de nettoyant abrasif ni de solvant.**

ENTRETIEN

Rechargez au besoin. Il n'y a aucune intervalle idéale établie pour recharger l'appareil, pourvu qu'il soit utilisé fréquemment. Évitez de trop souvent décharger complètement l'appareil : vous risqueriez d'écourter sa durée de vie.

Inspectez régulièrement les ports et le câble de chargement pour déceler la présence de débris, de saleté, de dommages et de corrosion. **N'essayez PAS** de réparer ce chargeur. Au besoin, remplacez le chargeur KTB2 ou le câble de chargement.

ENTREPOSAGE

Si le chargeur doit être entreposé pour plus d'un mois, chargez-le complètement avant de le ranger et rechargez-le environ tous les trois mois pour éviter une décharge complète et tout dommage permanent.

Rangez-le au frais et au sec, loin de la lumière directe du soleil (consultez la section Caractéristiques générales). Laisser le chargeur dans un véhicule ou un autre espace clos soumis à des chaleurs extrêmes risque d'écourter sa durée de vie, de le faire surchauffer ou de causer un incendie. Les températures froides inférieures à la plage recommandée pour l'entreposage peuvent également écourter la durée de vie du chargeur et nuire à son rendement.

Gardez l'appareil éloigné des produits chimiques et des gaz corrosifs.

Après avoir entreposé le chargeur KTB2, inspectez visuellement le chargeur et ses accessoires pour vous assurer qu'ils sont dans un état acceptable. Laissez le chargeur reprendre la température ambiante avant de le recharger ou de l'utiliser pour charger d'autres appareils.

GARANTIE

www.kleintools.com/warranty

MISE AU REBUT/RECYCLAGE



Ne mettez pas l'appareil et ses accessoires au rebut. Ces articles doivent être éliminés conformément aux règlements locaux. Pour de plus amples renseignements, consultez les sites www.epa.gov ou www.erecycle.org.

INSTRUCTIONS D'UTILISATION

CONSULTER LE VERSO

SERVICE À LA CLIENTÈLE

KLEIN TOOLS, INC.

450 Bond Street, Lincolnshire, IL 60069 1 877 775-5346
customerservice@kleintools.com www.kleintools.com

KLEIN TOOLS

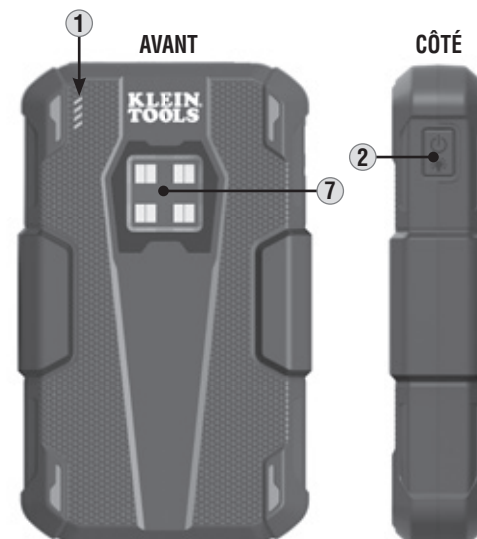


KTB-2

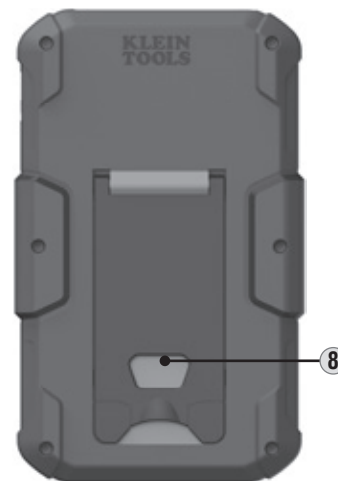
CHARGEUR PORTATIF DE 13 400 mAh – INSTRUCTIONS



FIG. A



ARRIÈRE



DESSOUS

