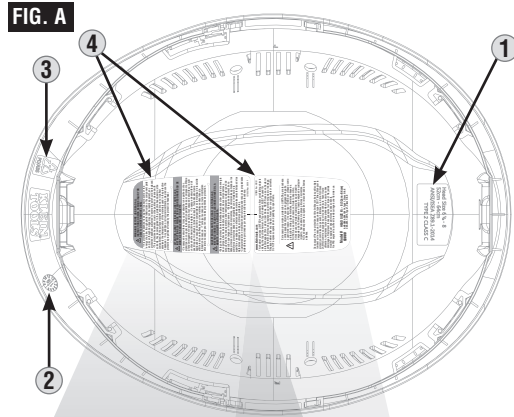




**Instructions for Klein Tools Safety helmets**  
**Instrucciones para cascos de seguridad de Klein Tools**  
**Instructions pour les casques de sécurité de Klein Tools**



**WARNING! BEFORE USE, READ ALL INSTRUCTIONS OR RISK SERIOUS INJURY OR DEATH. DO NOT REMOVE LABEL.**

This protective headwear is designed to absorb some of the energy of a blow through partial destruction of its component parts and, even though damage may not be readily apparent, any protective headwear subjected to severe impact should be replaced.

This protective headwear must not be painted or cleaned with solvents. Any decals applied to the protective headwear must be compatible with the surface material and known not to affect adversely the characteristics of the materials used in the protective headwear.

Any addition or structural modification may reduce the protective properties afforded by this protective headwear.

**ATTENTION, AVANT UTILISATION: LIRE TOUTES LES INSTRUCTIONS OU RISQUE DE BLESSURES GRAVES OU DE MORT. NE PAS ENLEVER L'ÉTIQUETTE.**

Ce casque de sécurité est conçu pour absorber une partie du choc produit par un coup par la destruction partielle de ses composants. Même si l'endommagement n'est pas visible, tout casque de sécurité qui a subi un choc sévère devrait être remplacé.

Ce casque de sécurité ne doit pas être peint ni nettoyé à l'aide de solvants. Toute décoration appliquée à ce casque doit être compatible avec le matériau de la calotte et être reconnue inoffensive pour les matériaux entrant dans la fabrication du casque.

Tout ajout au casque ou toute modification structurale du casque peut en réduire les propriétés de protection.

**ADVERTENCIA! ANTES DE USAR: LEA TODAS LAS INSTRUCCIONES O PELIGRO DE LESIONES GRAVES O LA MUERTE. NO QUITE LA ETIQUETA.**

Esta gorra de protección está diseñada para absorber parte de la energía de un golpe a través de la destrucción parcial de sus componentes y, aunque el daño no sea aparente, debe reemplazarse cualquier gorro de protección que tenga un impacto severo.

Esta gorra de protección no debe pintarse ni limpiarse con disolventes. Las calcomanías aplicadas a los sombreros protectores deben ser compatibles con el material de la superficie y se sabe que no afectan adversamente las características de los materiales utilizados en los sombreros protectores.

Cualquier edición o modificación estructural puede reducir las propiedades protectoras proporcionadas por esta protección para la cabeza.

1370537 Rev. 08/19 F

**www.kleintools.com**

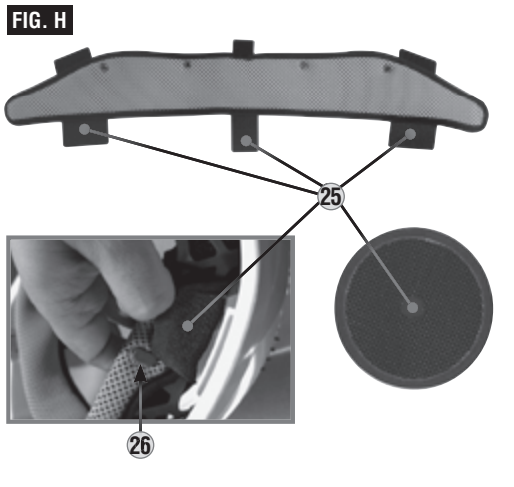
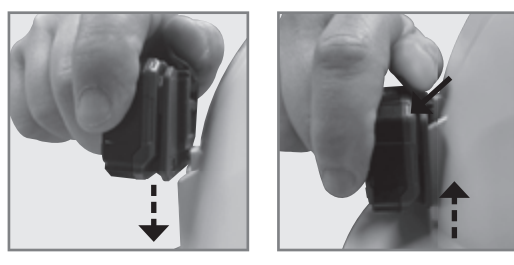
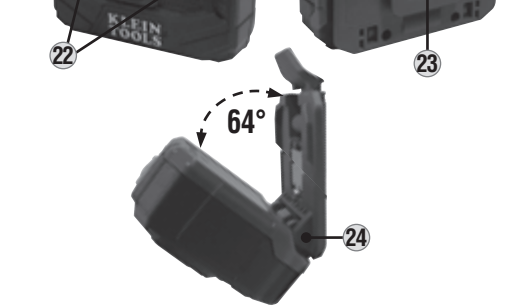
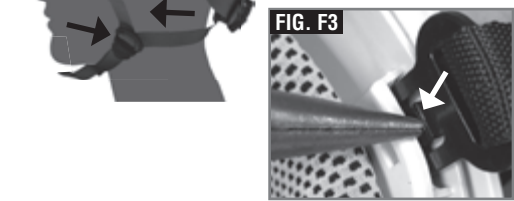
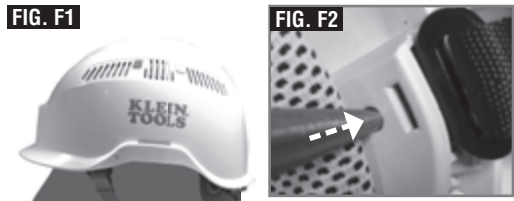
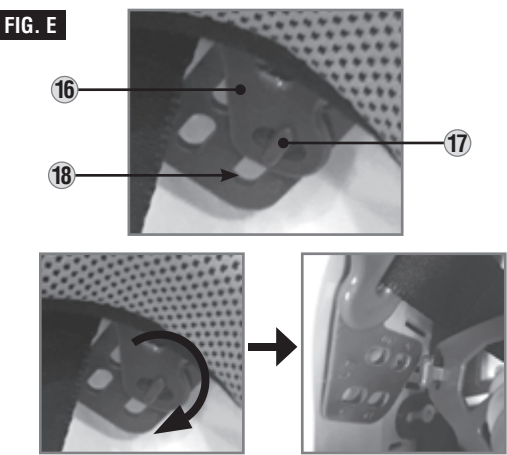
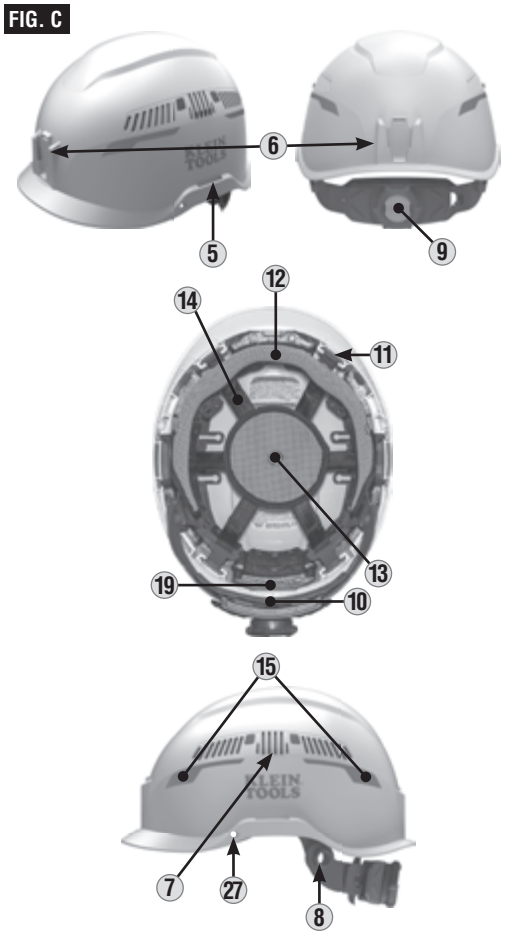
This helmet provides LIMITED protection from small objects striking the top, front, back, left and right sides of the helmet. NEVER use as a vehicular or sports helmet. Before using, replace any part showing wear or damage. Replace helmet after any impact. Never alter or apply paints or solvents, DO NOT expose safety helmet, suspension, padding, and chin strap to open flame. (See Instructions).

Este casco de seguridad tipo cachucha proporciona protección LIMITADA contra objetos pequeños que golpean la parte superior, frontal, posterior, izquierda y derecha del casco de seguridad tipo cachucha. NUNCA lo use como un casco vehicular o deportivo. Antes de usar, reemplace cualquier pieza que muestre desgaste o daño. Reemplace el casco después de cualquier impacto. Nunca altere ni aplique pinturas o solventes. NO exponga el casco de seguridad, la suspensión, el acolchado y la correa de barbilla a flamas abiertas. (Consulte las instrucciones).

Ce casque de chantier offre une protection LIMITÉE contre les petits objets percutant le dessus, l'avant, l'arrière et les côtés du casque. N'utilisez JAMAIS comme casque de sport ou de véhicule. Avant toute utilisation, remplacez toute pièce présentant une usure ou des dommages. Remplacez le casque après tout impact. Ne jamais modifier ou appliquer des peintures ou des solvants. N'exposez PAS la coiffe, le rembourrage et la mentonnière à une flamme nue. (Voir les instructions).

**Model #** HEAD SIZE 6 1/2 - 8 (52cm - 64cm)  
**#####** ANSISEA Z89.1-2014 R2019, Type 2, Class G & E

**NOTE: This label is representative; contents will vary based on model #.**  
**NOTA: esta etiqueta es representativa; los contenidos variarán según el n.º del modelo #.**  
**REMARQUE: Cette étiquette est fournie à titre indicatif; son contenu varie en fonction du modèle #.**



## GENERAL SPECIFICATIONS

- **Shell material:** PC/ABS composite
- **Standards:** These Klein Tools Safety Helmets comply with Type 2
  - CLASS E (Non-Vented): ANSI/ISEA Z89.1-2014 (R2019), tested up to 20kV.
  - CLASS C (Vented): ANSI/ISEA Z89.1-2014 (R2019).
- EN397:2012+A1:2012 (Clauses listed only):
  - 5.2.1 – Shock at Very Low Temperature
  - 5.2.4 – Lateral Deformation (LD)
  - 5.2.5 – Molten Metal Splash
- EN12492:2012 (Listed clauses only):
  - 4.2.1.2 – Front Energy Absorption Capacity
  - 4.2.1.3 – Side Energy Absorption Capacity
  - 4.2.1.4 – Rear Energy Absorption Capacity
  - 4.2.2 – Resistance To Penetration
  - 4.2.3 – Retention System Strength
  - 4.2.4 – Retention System Effectiveness (roll off)
- **Fits:** Head Sizes 6-1/2 to 8 (20-1/2 to 25 inches / 52 to 64 cm)

## SYMBOLS ON PRODUCT (FIG. A)

- 1 Compliant Standards, Class, Type, and Head Size information
- 2 Date of manufacture
- 3 Recycling Code and material type

## WARNING LABELS (FIG. B)

There are warning labels 4 affixed to the inside of this safety helmet. Read, understand, and follow these instructions to ensure safe operation. **DO NOT REMOVE THESE LABELS.**

## ⚠ WARNINGS

**READ ALL INSTRUCTIONS. FAILURE TO FOLLOW THESE WARNINGS AND INSTRUCTIONS MAY RESULT IN SERIOUS BODILY INJURY OR DEATH.**

- This safety helmet provides LIMITED protection from small objects striking top, front, back, left and right sides of the safety helmet.
- **DO NOT** expose safety helmet, EPS insert, suspension, padding and chin strap to open flame.
- **ELECTRICAL WARNING:** Avoid areas where the chance of electrical shock exists. Non-vented versions meet Class E requirements by providing limited electrical protection. Class C vented models provide no electrical protection. (See WARNING LABELS Section).
- If the safety helmet or EPS insert has sustained an impact, dispose of it IMMEDIATELY, even if damage is not visible.
- **NEVER** alter, puncture, modify or engrave the shell, EPS insert, suspension or chin strap.
- **DO NOT** use paints, solvents, chemicals, insect repellent, adhesives, gasoline or like substances on this safety helmet – doing so can lessen the protection offered against impact and penetration.
- **DO NOT** use this safety helmet as a vehicular or recreational safety helmet.
- **DO NOT** store objects between the suspension and the shell, as the safety helmet will not function as intended and can lessen the protection from impact and penetration.
- Exposure to direct sunlight, corrosive environments, and/or extreme temperatures below -40°F (-40°C) or above 120°F (49°C) can lessen the ability of the safety helmet to withstand impact and penetration.

## MAINTENANCE

## SAFETY HELMET CLEANING AND STORAGE

- Clean the safety helmet and suspension with mild soap and water only. Rinse and wipe dry. Clean chin strap with damp cloth only. Store in a cool place.
- See SWEATBAND AND TOP COMFORT PAD section of the operating instructions (on other side) for additional maintenance information.

## INSPECTION AND REPLACEMENT

- Inspect the safety helmet, EPS insert, including the suspension, chin strap and shell, before and after each use:
- Check the Safety helmet's shell for any cracks, breakage, discoloration, chalky appearance, or any other damage, excessive wear or unusual condition. These conditions may indicate reduced impact or penetration resistance and the Safety helmet must be replaced IMMEDIATELY.
  - The suspension and chin strap should be checked for cracks, breaks, damaged stitching or any other damage, excessive wear or unusual condition. If any of these conditions exist, they must be replaced IMMEDIATELY.
  - Always use genuine Klein Tools replacement parts. This product works as a system, and use of unauthorized suspensions and chin straps may reduce the protection you receive from this safety helmet.

## USEFUL LIFE

**SUSPENSION AND CHIN STRAP:** Must be replaced after no more than 12 months of use.

**ENTIRE SAFETY HELMET:** Entire Safety helmet should be replaced after 2 years of use, or no more than 5 years from the date of manufacture, whichever comes first.

These are useful service life guidelines. Regular inspection as detailed in the MAINTENANCE section above MUST be performed, and may result in possible earlier replacement.

**NOTE: This replacement schedule is a guideline that assumes normal use and storage conditions for the safety helmet. If the safety helmet is exposed to temperature extremes, persistent sunlight, or chemicals, replacement may be required in a shorter time frame.**

## WARRANTY

[www.kleintools.com/warranty](http://www.kleintools.com/warranty)

## ACCESSORIES AND REPLACEMENT PARTS

Klein Tools safety helmet accessories and replacement parts are available online or at major distributors:

- **56048:** Rechargeable Auto-Off Headlamp (Spot/Flood)
- **56049:** Rechargeable Light Array Headlamp (Flood only)
- **56062:** Rechargeable Headlamp / Worklight (Spot/Flood)
- **56063:** Safety Lamp
- **60155:** Hard hat/Safety Helmet Cooling Fan
- **CLMBRSPN:** Replacement 6-Point Suspension
- **CLMBRSTRP:** Replacement Chin Strap
- **KHHSWTBND:** Sweatband (3-pack)
- **KHHSWTBND2:** Premium Sweatband (3-pack)
- **KHHTOPPAD:** Top Comfort Pad (3-pack)
- **KHHTOPPAD2:** Premium Top Comfort Pad (3-pack)
- **VISORCLR:** Clear Visor
- **VISORGRAY:** Tinted Gray Visor

**NOTE: KLEIN TOOLS CANNOT GUARANTEE THAT THIRD-PARTY ACCESSORIES WILL PERFORM OR FIT OPTIMALLY WITH KLEIN TOOLS SAFETY HELMETS.**

## CUSTOMER SERVICE

## KLEIN TOOLS, INC.

450 Bond Street, Lincolnshire, IL 60069 1-800-553-4676  
[customerservice@kleintools.com](mailto:customerservice@kleintools.com) [www.kleintools.com](http://www.kleintools.com)

## FEATURE DETAILS (FIG. C)

- |                                       |                             |
|---------------------------------------|-----------------------------|
| 5 Universal accessory slots           | 13 Washable top comfort pad |
| 6 Klein Tools accessory slots         | 14 Suspension straps        |
| 7 Vents with shutter (Class C only)   | 15 Reflective stickers      |
| 8 Pivot adjustment                    | 16 Suspension bracket       |
| 9 Size adjustment knob                | 17 Bracket key              |
| 10 Rear neck pad                      | 18 Bracket key slots        |
| 11 Suspension strap anchor slots (x6) | 19 EPS Insert               |
| 12 Washable sweatband                 |                             |

## FITTING (FIG. D)

All safety helmets come with suspension pre-installed at factory settings. The suspension can be adjusted to ensure proper and secure fit to your head for maximum protection. Follow the steps below:

- STEP 1:** Turn the size adjustment knob 9 counterclockwise to loosen the fit. Position the rear pad on the back of your head, closer to the neck. Dress any bandana knots or ponytails over the rear neck pad 10.
- STEP 2:** Tighten by turning the size adjustment knob 9 clockwise until the safety helmet is comfortable and snug. Move your head up, down and side-to-side gently, like you would normally, and make sure the safety helmet stays on. Make sure that the safety helmet is not angled forward or backward, but rests level on your head.

## SUSPENSION ADJUSTMENT (FIG. E)

If the safety helmet does not fit properly at the factory settings, you can further adjust the fit:

- STEP 1:** Free the suspension by turning the suspension bracket 16 approximately 90 degrees to free the bracket key 17 from the bracket key slots 18.
- STEP 2:** Determine which slot 18 you want to reattach to. Using the bracket slots deeper in the safety helmet will move it higher on the head and vice versa. Insert the bracket key 17 and turn the bracket 16 approximately 90 degrees to lock into place. Always match the settings on the left and right sides to prevent the suspension from sitting at an angle.
- STEP 3:** Verify the safety helmet fits properly. Follow the steps in the FITTING section to ensure proper fit. Ensure that accessories you plan to use fit and function properly while maintaining the safety helmet's ability to perform its function optimally. Check with a qualified safety expert, if unsure.

**NOTE: The suspension strap lengths are fixed and cannot be adjusted. DO NOT attempt to alter.**

## CHIN STRAP ADJUSTMENT / REMOVAL (FIG. F1, F2, F3)

The safety helmet comes with the chin strap pre-installed.

## TO ADJUST CHIN STRAP:

- STEP 1:** Close the chin strap, adjust the leather portion of the strap through the clasp loop. Try on the safety helmet and readjust until the strap is snug between your chin and neck.
- STEP 2:** Adjust both side "V" brackets up or down for final adjustment. Ensure both sides of the "V" straps are even, as shown in FIG. F1.

## TO REMOVE CHIN STRAP:

- STEP 1:** Insert a small blunt-nosed tool (such as long-nosed pliers) into the round opening to press the release tab as shown in FIG. F2.
- STEP 2:** Gently pull the strap to begin removing the tab from the slot. The tab will not come out completely in this step. Once the tab catches, stop pulling. **DO NOT attempt to forcefully remove.**
- STEP 3:** Press the exposed portion of the release tab as shown in FIG. F3 while gently pulling on the strap to release the tab from the slot.

Repeat process at all remaining attachment points.

**NOTE: Check with your Safety Supervisor prior to removing your chin strap, as it may be required at all times on your jobsite.**

## SWEATBAND AND TOP COMFORT PAD (FIG. H)

Klein Tools safety helmets come with an advanced sweatband and top comfort pad designed to wick away sweat. They are machine washable in a normal wash cycle. **DO NOT** wash with bleach or with detergents containing bleach. Machine dry on normal or low heat setting only.

The sweatband and top comfort pad can be easily removed and reinstalled on the suspension:

- The top comfort pad is held in place by a single hook-and-loop pad 25.
- The sweatband is held in place by four suspension hooks 26 and three hook-and-loop pads 25, on the side and front. To remove, simply detach all hook-and-loop pads and slide the sweatband off the suspension hooks.

## VENTS (C-CLASS ONLY)

Klein Tools Class C safety helmets have vents and shutters on both sides. The vents can be adjusted by simply sliding the shutter tabs 7 up or down.

**⚠ The vents and shutters will NOT prevent vapors, liquids, or debris smaller than the vents from entering the safety helmet.**

## 56062 HEADLAMP (FIG. G)

The optional 56062 is a rechargeable headlamp designed specifically for Klein safety helmets that have the integrated front and rear accessory slots. It functions as a spot light or flood light, and has magnet to attach onto magnetic surfaces for use as a worklight. Charging cable is included with models that include rechargeable headlamps.

- |                       |                   |
|-----------------------|-------------------|
| 19 Release tab        | 22 Flood lights   |
| 20 On/Off/Mode button | 23 Magnet         |
| 21 Spot light         | 24 Pivoting mount |

The 56062 can be attached to both the front and back of the helmet via the Klein Tools accessory slot. It can be tilted up to 64 degrees on the safety helmet and standalone as a worklight.

To install the headlamp onto a Klein safety helmet, align the pivoting mount 24 with the Klein Tools accessory slot 6 on the safety helmet and push down until the headlamp clicks securely into place.

To remove the headlamp, press forward on the Release Tab 19, and lift the headlamp out of the accessory slot.

## REFLECTIVE STICKERS (FIG. C)

Klein Tools Type 2 safety helmets come with reflective stickers 15 factory-installed. **DO NOT** remove or reposition these stickers on the safety helmet.

**⚠ WARNING: Klein Tools DOES NOT approve the application of stickers, hot stamps, inks, and foils that have metallic content to this hard hat by end users. Such modifications can alter the performance of the hard hat.**

## VISORS

Optional visors specially designed to mount 27 onto Klein Tools Safety Helmets are also available, in clear and tinted gray. See **ACCESSORIES AND REPLACEMENT PARTS** section for available models.

## ESPECIFICACIONES GENERALES

- **Material del casco:** compuesto PC/ABS
- **Normas:** estos cascos de seguridad de Klein Tools cumplen con las normas tipo 2
  - CLASE E (sin ventilación): ANSI/ISEA Z89.1-2014 (R2019), sometido a pruebas de hasta 20 kV.
  - CLASE C (con ventilación): ANSI/ISEA Z89.1-2014 (R2019) EN397:2012+A1:2012 (cláusulas mencionadas únicamente):
    - 5.2.1 Choque a muy baja temperatura
    - 5.2.4 Deformación lateral (LD)
    - 5.2.5 Salpicadura de metal fundido
- EN12492:2012 (cláusulas mencionadas únicamente):
  - 4.2.1.2 Capacidad frontal de absorción de energía
  - 4.2.1.3 Capacidad lateral de absorción de energía
  - 4.2.1.4 Capacidad posterior de absorción de energía
  - 4.2.2 Resistencia a la penetración
  - 4.2.3 Resistencia del sistema de retención
  - 4.2.4 Eficacia del sistema de retención (rotación)
- **Se adapta a:** tamaños de cabeza de 6-1/2 a 8 (20-1/2" a 25" / 52 a 64 cm)

## SÍMBOLOS EN EL PRODUCTO (FIG. A)

- 1 Información sobre normas con las que cumple, clase, tipo y tamaño de cabeza
- 2 Fecha de fabricación
- 3 Código de reciclaje y tipo de material

## ETIQUETAS DE ADVERTENCIA (FIG. B)

Hay etiquetas de advertencia ④ pegadas en el interior de este casco de seguridad. Lea, comprenda y siga estas instrucciones para garantizar un funcionamiento seguro. **NO RETIRE ESTAS ETIQUETAS.**

## ADVERTENCIAS

**LEA TODAS LAS INSTRUCCIONES. NO SEGUIR ESTAS ADVERTENCIAS E INSTRUCCIONES PUEDE CAUSAR LESIONES PERSONALES GRAVES O INCLUSO LA MUERTE.**

- Este casco de seguridad proporciona protección LIMITADA contra golpes de objetos pequeños en las partes superior, frontal, posterior y laterales del casco de seguridad.
- **NO** exponga el casco de seguridad, el inserto de EPS, la suspensión, el acolchado y la correa de barbilla a llamas abiertas.
- **ADVERTENCIA DE ELECTRICIDAD:** evite las áreas donde exista la posibilidad de recibir choques eléctricos. Las versiones de casco sin ventilación cumplen con los requisitos de Clase E al brindar una protección eléctrica limitada. Los modelos con ventilación Clase C no brindan protección eléctrica. (consultar la sección ETIQUETAS DE ADVERTENCIA).
- Si el casco de seguridad o el inserto de EPS ha sufrido un impacto, deséchelo DE INMEDIATO, incluso si el daño no es visible.
- **NUNCA** altere, perforo, modifique o grabe el casco, el inserto de EPS, la suspensión o la correa de barbilla.
- **NO** use pinturas, solventes, productos químicos, repelente de insectos, adhesivos, gasolina o sustancias similares en este casco de seguridad, ya que esto puede reducir la protección que ofrece contra el impacto y la penetración.
- **NO** use este casco de seguridad para conducir o con fines recreativos.
- **NO** almacene objetos entre la suspensión y el casco, ya que el casco de seguridad no funcionará como debe y se puede reducir la protección contra el impacto y la penetración.
- La exposición a la luz solar directa, ambientes corrosivos y/o temperaturas extremas por debajo de -40 °F (-40 °C) o superiores a 120 °F (49 °C) pueden reducir la capacidad del casco de seguridad para resistir el impacto y la penetración.

## MANTENIMIENTO

### LIMPIEZA Y ALMACENAMIENTO DEL CASCO DE SEGURIDAD

- Limpie el casco de seguridad y la suspensión únicamente con agua y jabón suave. Enjuague y seque con un paño. Limpie la correa de barbilla únicamente con un paño húmedo. Almacene en un lugar fresco.
  - Consulte la sección BANDA ABSORBENTE DE SUDOR Y ALMOHADILLA SUPERIOR CÓMODA de las instrucciones de funcionamiento (en el reverso) para obtener información adicional sobre el mantenimiento.
- ### INSPECCIÓN Y REEMPLAZO
- Inspeccione el casco de seguridad, el inserto de EPS, incluyendo la suspensión, la correa de barbilla y el casco, antes y después del uso:
- Revise el casco del casco de seguridad para detectar grietas, roturas, decoloración, apariencia blanquecina o cualquier otro daño, desgaste excesivo o condición inusual. Estas condiciones pueden indicar una reducción en la resistencia al impacto o la penetración, y el casco debe reemplazarse INMEDIATAMENTE.
  - Se debe verificar la suspensión y la correa de barbilla para detectar grietas, roturas, costuras dañadas o cualquier otro daño, desgaste excesivo o condición inusual. Si se presenta alguna de estas condiciones, estos elementos deben reemplazarse INMEDIATAMENTE.
  - Utilice siempre piezas de repuesto originales de Klein Tools. Este producto funciona como un sistema, por lo que el uso de suspensiones y correas de barbilla no autorizadas puede reducir la protección provista por este casco de seguridad.

## VIDA ÚTIL

**SUSPENSIÓN Y CORREA DE BARBILLA:** deben reemplazarse después de 12 meses de uso.

**CASCO DE SEGURIDAD COMPLETO:** Debe reemplazarse después de 2 años de uso, o a los 5 años desde la fecha de fabricación, lo que ocurra primero.

Estas son pautas de vida útil. Se DEBEN realizar inspecciones frecuentes como se indica en la sección MANTENIMIENTO de arriba, y puede resultar en un posible reemplazo anticipado.

**NOTA:** Este programa de reemplazo es una pauta que supone condiciones normales de uso y almacenamiento del casco de seguridad. Si el casco de seguridad está expuesto a temperaturas extremas, luz solar continua o productos químicos, puede ser necesario reemplazarlo en un período más corto.

## GARANTÍA

[www.kleintools.com/warranty](http://www.kleintools.com/warranty)

## ACCESORIOS Y PIEZAS DE REPUESTO

Los accesorios y piezas de repuesto para cascos de seguridad tipo Klein Tools están disponibles en línea o con los principales distribuidores:

- **56048:** Luz frontal recargable de apagado automático (luz enfocada/de proyección)
- **56049:** Luz frontal con matriz de luz recargable (luz de proyección únicamente)
- **56062:** Luz frontal recargable / luz de trabajo (luz enfocada/de proyección)
- **56063:** Lámpara de seguridad
- **60155:** Ventilador de enfriamiento
- **CLMBRSPN:** Suspensión de repuesto de 6 puntos
- **CLMBRSTRP:** Correa de barbilla de repuesto
- **KHHSWTBND:** Banda absorbente de sudor (paquete de 3 unidades)
- **KHHSWTBNDZ:** Banda absorbente de sudor de calidad superior (paquete de 3 unidades)
- **KHHTOPPAD:** Almohadilla superior cómoda (paquete de 3 unidades)
- **KHHTOPPADD:** Almohadilla superior cómoda de calidad superior (paquete de 3 unidades)
- **VISORCLR:** Visera transparente
- **VISORGRAY:** Visera gris ahumado

**NOTA: KLEIN TOOLS NO PUEDE GARANTIZAR QUE LOS ACCESORIOS DE TERCEROS FUNCIONEN O SE ADAPTEN DE MANERA ÓPTIMA A LOS CASCOS DE SEGURIDAD DE KLEIN TOOLS.**

## SERVICIO AL CLIENTE

### KLEIN TOOLS, INC.

450 Bond Street, Lincolnshire, IL 60069 1-800-553-4676  
[customerservice@kleintools.com](mailto:customerservice@kleintools.com) [www.kleintools.com](http://www.kleintools.com)

## DETALLES DE LAS CARACTERÍSTICAS (FIG. C)

- |  |                                       |
|--|---------------------------------------|
| ⑤ Ranuras para accesorios universales                      | ⑬ Almohadilla superior cómoda lavable |
| ⑥ Ranuras para accesorios de Klein Tools                   | ⑭ Correas de suspensión               |
| ⑦ Orificios de ventilación con rejilla (Clase C solamente) | ⑮ Adhesivos reflectantes              |
| ⑧ Ajuste de giro   | ⑯ Soporte de suspensión               |
| ⑨ Perilla para ajustar el tamaño                           | ⑰ Bloqueo de soporte                  |
| ⑩ Almohadilla para la nuca                                 | ⑱ Ranuras del bloqueo de soporte      |
| ⑪ Ranuras de anclaje de la correa de suspensión (x6)       | ⑲ Inserto de EPS                      |
| ⑫ Banda absorbente de sudor lavable                        |                                       |

## AJUSTE (FIG. D)

Todos los cascos de seguridad cuentan con suspensión preinstalada con ajuste de fábrica. La suspensión se puede ajustar para garantizar un ajuste correcto y seguro a su cabeza para máxima protección. Siga los pasos a continuación:

**PASO 1:** gire la perilla de ajuste de tamaño ⑨ en sentido contrario a las agujas del reloj para aflojar el ajuste. Coloque la almohadilla trasera en la parte posterior de su cabeza, más cerca de la nuca. Los nudos de paliacate o colas de caballo deben ir sobre la almohadilla posterior para la nuca ⑩.

**PASO 2:** ajuste girando la perilla de ajuste de tamaño ⑨ en sentido a las agujas del reloj hasta que el casco de seguridad tenga un ajuste cómodo y ajustado. Mueva su cabeza hacia arriba, hacia abajo y hacia los lados suavemente, como lo haría normalmente, y asegúrese de que el casco de seguridad se mantenga ajustado. Asegúrese de que el casco de seguridad no esté inclinado hacia adelante o hacia atrás, sino que quede nivelado en su cabeza.

## AJUSTE DE SUSPENSIÓN (FIG. E)

Si el casco de seguridad no se adapta correctamente al ajuste de fábrica, puede adaptar aún más el ajuste:

**PASO 1:** libere la suspensión girando el soporte de suspensión ⑱ aproximadamente 90 grados para liberar el bloqueo de soporte ⑰ de las ranuras del bloqueo de soporte ⑱.

**PASO 2:** defina la ranura ⑱ que desee volver a calzar. Al usar las ranuras de soporte que se encuentran más al interior del casco de seguridad, este se desplazará hacia arriba en la cabeza y viceversa. Inserte el bloqueo de soporte ⑰ y gire el soporte ⑱ aproximadamente 90 grados para bloquearlo en su posición. Siempre haga coincidir los ajustes en los lados izquierdo y derecho para evitar que la suspensión permanezca en un ángulo.

**PASO 3:** verifique que el casco de seguridad se ajusta adecuadamente. Siga los pasos en la sección AJUSTES para asegurar un ajuste adecuado. Asegúrese de que los accesorios que planea usar se adapten y funcionen adecuadamente mientras se mantiene la capacidad del casco de seguridad para cumplir con su función de manera óptima. Si no está seguro, verifique con un experto en seguridad calificado.

**NOTA:** Las longitudes de la correa de suspensión son fijas y no se pueden ajustar. **NO intente ajustarlas.**

## AJUSTE/RETIRO DE LA CORREA DE BARBILLA (FIG. F1, F2, F3)

El casco de seguridad viene con la correa de barbilla preinstalada.

### PARA AJUSTAR LA CORREA DE BARBILLA:

**PASO 1:** cierre la correa de barbilla, ajuste la sección de cuero de la correa de barbilla a través de la presilla del broche. Pruébese el casco de seguridad y reajuste hasta que la correa esté ajustada entre su barbilla y cuello.

**PASO 2:** ajuste ambos soportes laterales con forma de "V" hacia arriba o hacia abajo para el ajuste final. Asegúrese de que ambos lados de las correas con forma de "V" estén nivelados, como se muestra en la Figura F1.

### PARA RETIRAR LA CORREA DE BARBILLA:

**PASO 1:** Inserte una pequeña herramienta con punta roma (como unas pinzas de punta) en la abertura redonda para presionar la lengüeta de liberación, como se muestra en la FIG. F2.

**PASO 2:** Jale suavemente de la correa para empezar a retirar la lengüeta de la ranura. La lengüeta no saldrá por completo en este paso. Una vez tenga la lengüeta, deje de jalar. **NO intente retirarla a la fuerza.**

**PASO 3:** Presione la parte expuesta de la lengüeta de liberación, como se muestra en la FIG. F3, a la vez que jala la correa suavemente para liberar la lengüeta de la ranura.

Repita el proceso en todos los puntos de ajuste restantes.

**NOTA:** consulte con su supervisor de seguridad antes de retirar su correa de barbilla, ya que es posible que deba usarla en el lugar de trabajo en todo momento.

## BANDA ABSORBENTE DE SUDOR Y ALMOHADILLA SUPERIOR CÓMODA (FIG. H)

Los cascos de seguridad de Klein Tools cuentan con una banda absorbente de sudor avanzada y una almohadilla superior cómoda diseñada para absorber el sudor. Son lavables a máquina bajo un ciclo de lavado normal. NO las lave con blanqueador ni con detergentes que lo contengan. Séquela a máquina solo a temperatura normal o baja.

La banda absorbente de sudor y la almohadilla superior cómoda se pueden retirar y volver a colocar fácilmente en la suspensión:

- La almohadilla superior cómoda se mantiene en su lugar mediante una sola almohadilla de velcro ⑮.
- La banda absorbente de sudor se mantiene en su lugar con cuatro ganchos de suspensión ⑮ y tres almohadillas de velcro ⑮, en el frente y a los lados. Para quitarla, simplemente desprenda todas las almohadillas de velcro y retire la banda absorbente de sudor de los ganchos de suspensión.

## ORIFICIOS DE VENTILACIÓN (CLASE C SOLAMENTE)

Los cascos de seguridad Clase C de Klein Tools cuentan con orificios de ventilación y rejillas en ambos lados. Los orificios de ventilación se pueden ajustar simplemente deslizando las rejillas ⑦ hacia abajo o hacia arriba.

⚠ **Los orificios y las rejillas NO evitarán que vapores, líquidos o residuos de menor tamaño ingresen en el casco de seguridad.**

## LUZ FRONTAL 56062 (FIG. G)

El accesorio opcional 56062 es una luz frontal recargable diseñada específicamente para los cascos de seguridad de Klein que cuentan con ranuras integradas para accesorios frontales y posteriores. Funciona como luz enfocada o luz de proyección, y cuenta con un imán para sujetarse a superficies magnéticas para su uso como luz de trabajo. El cable de carga está incluido con los modelos que incluyen luz frontal recargable.

- |                                      |                       |
|--------------------------------------|-----------------------|
| ⑰ Lengüeta de liberación             | ⑳ Luces de proyección |
| ⑱ Botón de modo, encendido y apagado | ㉑ Imán                |
| ㉒ Luz enfocada                       | ㉓ Soporte giratorio   |

La 56062 puede sujetarse tanto en la parte frontal como en la parte posterior del casco a través de la ranura para accesorios de Klein Tools. Puede inclinarse hasta 64 grados sobre el casco de seguridad y de forma independiente como luz de trabajo.

Para instalar la luz frontal en el casco de seguridad de Klein, alinee el soporte giratorio ㉓ con la ranura para accesorios de Klein Tools ⑥ del casco de seguridad y empuje hacia abajo hasta que se escuche un clic y la luz frontal esté firmemente en su lugar.

Para retirar la luz frontal, presione hacia abajo la lengüeta de liberación ⑰, y levante la luz frontal de la ranura para accesorios.

## ADHESIVOS REFLECTANTES (FIG. C)

Los cascos de seguridad tipo 2 de Klein Tools vienen con adhesivos reflectantes ⑮ instalados de fábrica. NO retire ni cambie de ubicación estos adhesivos en el casco de seguridad.

⚠ **ADVERTENCIA:** Klein Tools NO aprueba que los usuarios finales apliquen adhesivos, estampados en caliente, impresiones en tinta y cintas que tengan contenido metálico en este casco de seguridad tipo cachucha. Dichas modificaciones pueden alterar el rendimiento del casco.

## VISERAS

Las viseras opcionales especialmente diseñadas para instalarse ㉔ en cascos de seguridad de Klein Tools también están disponibles en colores transparente y gris ahumado. Consulte la sección ACCESORIOS Y PIEZAS DE REPUESTO para los modelos disponibles.

## CARACTÉRISTIQUES GÉNÉRALES

- **Coque** : mélange de polycarbonate et de plastique ABS
- **Normes** : Ces casques de sécurité de type 2 de Klein Tools sont conformes aux normes
  - CLASSE E (non ventilé) : ANSI/ISEA Z89.1-2014 (R2019), testé jusqu'à 20 kV
  - CLASSE C (ventilé) : ANSI/ISEA Z89.1-2014 (R2019)
- EN 397:2012+A1:2012 (articles énumérés seulement) :
  - 5.2.1 – Choc à très basse température
  - 5.2.4 – Déformation latérale
  - 5.2.5 – Eclaboussures de métal fondu
- EN 12492:2012 (articles énumérés seulement) :
  - 4.2.1.2 – Capacité d'absorption des chocs frontaux
  - 4.2.1.3 – Capacité d'absorption des chocs latéraux
  - 4.2.1.4 – Capacité d'absorption des chocs arrière
  - 4.2.2 – Résistance à la pénétration
  - 4.2.3 – Résistance du système de rétention
  - 4.2.4 – Efficacité du système de détention (retrait)
- **Convient à** : Têtes de taille 6 1/2 à 8 (52 à 64 cm [20 1/2 à 25 po])

## SYMBOLES SUR LE PRODUIT (FIG. A)

- 1** Renseignements sur la conformité aux normes, la classe, le type et les tailles de tête
- 2** Date de fabrication
- 3** Code de recyclage et type de matériau

## ÉTIQUETTES D'AVERTISSEMENT (FIG. B)

Des étiquettes d'avertissement **4** sont fixées à l'intérieur de ce casque de sécurité. Veuillez lire, comprendre et suivre ces instructions afin de garantir une utilisation sécuritaire du casque. **NE RETIREZ PAS CES ÉTIQUETTES.**

## AVERTISSEMENTS

**VEUILLEZ LIRE TOUTES LES INSTRUCTIONS. LE NON-RESPECT DES INSTRUCTIONS ET DES AVERTISSEMENTS DE CE MANUEL RISQUE D'ENTRAÎNER DES BLESSURES CORPORELLES GRAVES OU LA MORT.**

- Ce casque de sécurité offre une protection LIMITÉE contre les petits objets percutant le dessus, l'avant, l'arrière et les côtés du casque.
- **N'EXPOSEZ PAS** la coiffe, la pièce en polystyrène expansé, le rembourrage et la mentonnière à une flamme nue.
- **AVERTISSEMENT DE CHOCS ÉLECTRIQUES** : Évitez les endroits présentant des risques de chocs électriques. Les modèles non ventilés répondent aux exigences de la classe E et offrent une protection limitée contre les chocs électriques. Les modèles ventilés de classe C n'offrent aucune protection contre les chocs électriques. (voir la section ÉTIQUETTES D'AVERTISSEMENT).
- Si la pièce en polystyrène expansé ou le casque de sécurité a subi un choc, jetez-le IMMÉDIATEMENT, même si aucun dommage n'est visible.
- **NE MODIFIEZ JAMAIS** ce casque, ne le percez pas et ne gravez rien sur la coquille, la pièce en polystyrène expansé, la coiffe ou la mentonnière.
- **N'UTILISEZ PAS** de peintures, de solvants, de produits chimiques, d'insecticides, d'adhésifs, d'essence ou de substances semblables sur ce casque de sécurité; vous risqueriez de réduire la protection contre les chocs et la pénétration.
- **NE L'UTILISEZ JAMAIS** comme casque de sport ou de véhicule.
- **N'INSÉREZ PAS** d'objets entre la coiffe et la coquille, puisque cela nuirait au fonctionnement du casque de sécurité et réduirait la protection contre les chocs et la pénétration.
- L'exposition du casque à la lumière directe du soleil, à des environnements corrosifs et à des températures extrêmes de moins de -40 °C (-40 °F) ou de plus de 49 °C (120 °F) peut réduire sa résistance aux chocs et à la pénétration.

## ENTRETIEN

## NETTOYAGE ET ENTREPOSAGE DU CASQUE DE SÉCURITÉ

- Nettoyez uniquement le casque de sécurité et la coiffe avec de l'eau et un savon doux. Rincez-le et essuyez-le. Ne nettoyez la mentonnière qu'avec un chiffon humide. Entreposez le casque dans un endroit frais.
- Consultez la section BANDEAU ANTISUDATION ET COUSSINET DE CONFORT des instructions d'utilisation (au verso) pour en savoir plus sur l'entretien.

## INSPECTION ET REMPLACEMENT

- Inspectez le casque de sécurité, y compris sa pièce en polystyrène expansé, sa coiffe, sa mentonnière et sa coquille, avant et après chaque utilisation :
- Examinez la coquille pour y déceler des signes de fissures, de ruptures, de décoloration ou d'apparence craquelée et tout autre signe de dommage, d'usure excessive ou d'état inhabituel. Un casque présentant de tels signes est potentiellement moins résistant aux chocs ou à la pénétration et doit être remplacé IMMÉDIATEMENT.
- La coiffe et la mentonnière doivent être examinées pour y déceler des signes de fissures, de ruptures ou de coutures endommagées et tout autre signe de dommage, d'usure excessive ou d'état inhabituel. Si de tels signes sont présents, elles doivent être remplacées IMMÉDIATEMENT.
- Utilisez toujours des pièces de rechange Klein Tools authentiques. Ce produit fonctionne comme un tout : l'utilisation d'une coiffe ou d'une mentonnière non autorisée risque de réduire la protection offerte par le casque.

## DURÉE DE VIE UTILE

**COIFFE ET MENTONNIÈRE** : À remplacer après un maximum de 12 mois d'utilisation.  
**ENTIÈRETÉ DU CASQUE DE CHANTIER** : Le casque de chantier en entier doit être remplacé après 2 ans d'utilisation ou un maximum de 5 ans après sa date de fabrication, le premier des deux prévalant.

Ces directives indiquent les durées de vie utile. Vous DEVEZ également réaliser une inspection régulière du produit, conformément aux instructions de la section ENTRETIEN, qui pourrait mener à un remplacement précoce du produit.

**REMARQUE** : Ces délais pour le remplacement tiennent compte d'une utilisation et d'un entreposage normaux. Si le casque est exposé à des températures extrêmes, à un ensoleillement constant ou à des produits chimiques, un remplacement précoce pourrait être nécessaire

## GARANTIE

[www.kleintools.com/warranty](http://www.kleintools.com/warranty)

## ACCESSOIRES ET PIÈCES DE RECHANGE

Des accessoires et des pièces de rechange de casques de sécurité sont offerts en ligne et auprès des principaux distributeurs :

- **56048** : Lampe frontale rechargeable à arrêt automatique (faisceau concentré/éclairage général)
- **56049** : Lampe frontale rechargeable à large spectre (éclairage général uniquement)
- **56062** : Lampe frontale rechargeable / lampe de travail (faisceau concentré/éclairage général)
- **56063** : Lampe de sécurité
- **60155** : Ventilateur de refroidissement
- **CLMBRSPN** : Coiffe à 6 points de rechange
- **CLMBRSTRP** : Mentonnière de rechange
- **KHHSWTBND** : Bandeaux antisudation (pqt de 3)
- **KHHSWTBND2** : Bandeaux antisudation de qualité supérieure (pqt de 3)
- **KHHTOPPAD** : Coussinets de confort (pqt de 3)
- **KHHTOPPAD2** : Coussinets de confort de qualité supérieure (pqt de 3)
- **VISORCLR** : Visière transparente
- **VISORGRAY** : Visière teintée en gris

**REMARQUE** : KLEIN TOOLS NE PEUT GARANTIR LE FONCTIONNEMENT ET LA COMPATIBILITÉ DES ACCESSOIRES DE TIERS UTILISÉS AVEC SES CASQUES DE SÉCURITÉ.

## SERVICE À LA CLIENTÈLE

KLEIN TOOLS, INC.

450 Bond Street, Lincolnshire, IL 60069 1 800 553-4676  
[customerservice@kleintools.com](mailto:customerservice@kleintools.com) [www.kleintools.com](http://www.kleintools.com)

## CARACTÉRISTIQUES DÉTAILLÉES (FIG. C)

- Fentes universelles pour accessoires
- Fentes pour accessoires Klein Tools
- Fentes d'aération munies d'un obturateur (classe C uniquement)
- Ajustement du pivot
- Bouton d'ajustement de la taille
- Coussinet cervical arrière
- Fentes d'ancrage des sangles de coiffe (x6)
- Bandeau antisudation lavable
- Coussinet de confort lavable
- Sangles de coiffe
- Autocollants réfléchissants
- Support de coiffe
- Ancrage du support
- Fentes pour l'ancrage du support
- Pièce en polystyrène expansé

## ESSAYAGE (FIG. D)

Tous les casques de sécurité sont équipés d'une coiffe préinstallée réglée en usine. La coiffe peut être ajustée à votre tête pour offrir une protection optimale. Suivez les étapes suivantes :

**ÉTAPE 1** : Tournez le bouton d'ajustement de la taille **9** en sens antihoraire pour desserrer la coiffe. Placez le coussin cervical à l'arrière de votre tête, plus près du cou. Le cas échéant, placez votre nœud de foulard ou votre queue de cheval par-dessus le coussin cervical arrière **10**.

**ÉTAPE 2** : Resserrez la coiffe en tournant le bouton d'ajustement de la taille **9** en sens horaire jusqu'à ce que le casque de sécurité tienne fermement et confortablement. Bougez votre tête doucement, de haut en bas et de gauche à droite, comme vous le feriez normalement, pour vous assurer que le casque reste bien en place. Assurez-vous que le casque est bien droit par rapport à votre tête, c'est-à-dire qu'il n'est pas penché vers l'avant ni vers l'arrière.

## AJUSTEMENT DE LA COIFFE (FIG. E)

Si les réglages en usine du casque de sécurité ne conviennent pas, vous pouvez les ajuster :

**ÉTAPE 1** : Dégagez la coiffe en tournant le support de coiffe **16** sur environ 90° de façon à dégager l'ancrage du support **17** de la fente où il se trouve **18**.

**ÉTAPE 2** : Déterminez la nouvelle fente **18** à utiliser. En optant pour une fente se trouvant plus près du fond du casque, la coiffe remonte, et vice-versa. Insérez l'ancrage de support **17** et tournez le support **16** sur environ 90° de façon à le fixer en place. Effectuez toujours les mêmes réglages sur la droite et la gauche du casque pour éviter que la coiffe ne penche sur un côté.

**ÉTAPE 3** : Assurez-vous que le casque de sécurité est bien ajusté. Suivez les étapes décrites à la section ESSAYAGE pour vous assurer que l'ajustement est adéquat. Assurez-vous que les accessoires que vous comptez ajouter fonctionnent et s'ajustent adéquatement, et qu'ils ne nuisent pas au fonctionnement optimal du casque. Dans le doute, consultez un expert qualifié en matière de sécurité.

**REMARQUE** : La longueur des sangles de coiffe est fixe et ne peut être réglée. Ne tentez PAS de la modifier.

## AJUSTEMENT/RETRAIT DE LA MENTONNIÈRE (FIG. F1, F2, F3)

Le casque de sécurité est muni d'une mentonnière préinstallée.

## POUR AJUSTER LA MENTONNIÈRE :

**ÉTAPE 1** : Fermez la mentonnière et ajustez sa portion en cuir en la faisant passer par la boucle à fermoir. Essayez le casque de sécurité et réajustez-le jusqu'à ce que la sangle soit fermement ajustée entre votre menton et votre cou.

**ÉTAPE 2** : Lors de l'ajustement final, ajustez les deux supports latéraux en V vers le haut ou vers le bas. Assurez-vous que les deux côtés des sangles en V sont égaux, comme illustré à la FIG. F1.

## POUR RETIRER LA MENTONNIÈRE :

**ÉTAPE 1** : Insérez un petit outil à bout arrondi (comme des pinces à bec long) dans l'ouverture ronde pour appuyer sur la languette de dégagement, comme illustré à la FIG. F2.

**ÉTAPE 2** : Tirez doucement sur la sangle pour commencer à retirer la languette de la fente. La languette ne sortira pas complètement à cette étape. Lorsque la languette se bloque, arrêtez de tirer. N'ESSAYEZ PAS de la retirer en forçant.

**ÉTAPE 3** : Appuyez sur la partie exposée de la languette de dégagement, comme illustré à la FIG. F3, tout en tirant doucement sur la sangle pour dégager la languette de la fente.

Répétez ce processus pour tous les points d'ancrage restants.

**REMARQUE** : Consultez le superviseur de la sécurité avant de retirer votre mentonnière, car il pourrait être nécessaire d'en porter une en tout temps sur votre chantier.

## BANDEAU ANTISUDATION ET COUSSINET DE CONFORT (FIG. H)

Les casques de sécurité de Klein Tools sont munis d'un bandeau antisudation et d'un coussinet de confort conçus pour absorber la sueur. Ceux-ci sont lavables à la machine à cycle normal. Ne les lavez PAS avec de l'eau de javel ou un détergent contenant du javellisant. Séchez à la machine en utilisant uniquement un réglage normal ou à basse température.

Le bandeau antisudation et le coussinet de confort peuvent être retirés et réinstallés facilement sur la coiffe :

- Le coussinet de confort est maintenu en place par un seul coussinet autograppant **25**.
- Le bandeau antisudation est maintenu en place par quatre crochets **26** et trois coussinets autograppants **25**, situés sur les côtés et à l'avant du bandeau. Pour retirer le bandeau antisudation, détachez simplement les coussinets autograppants et glissez le bandeau hors des crochets.

## FENTES D'AÉRATION (CLASSE C UNIQUEMENT)

Les casques de sécurité de classe C de Klein Tools sont pourvus de fentes d'aérations munies d'un obturateur sur les deux côtés. Les fentes d'aération peuvent être ajustées simplement en glissant les languettes de l'obturateur **7** vers le haut ou le bas.

⚠ **L'obturateur N'EMPÊCHE PAS les vapeurs, les liquides et les débris plus fins que les tentes d'aération de pénétrer le casque.**

## LAMPE FRONTALE 56062 (FIG. G)

La lampe frontale rechargeable 56062 (optionnelle) a été spécialement conçue pour les casques de sécurité Klein munis de fentes intégrées avant et arrière pour les accessoires. Elle projette un faisceau concentré ou un éclairage général et est munie d'un aimant qui permet de la fixer aux surfaces magnétiques pour la transformer en lampe de travail. Le câble de recharge est inclus avec les modèles équipés d'une lampe frontale rechargeable.

- Languette de dégagement
- Éclairage général
- Bouton marche/arrêt/mode
- Aimant
- Éclairage à faisceau concentré
- Fixation pivotante

La lampe frontale 56062 peut être fixée à l'avant ou à l'arrière du casque grâce à la fente pour accessoires de Klein Tools. Elle peut être inclinée jusqu'à 64° sur le casque de sécurité et servir séparément comme lampe de travail.

Pour installer la lampe frontale sur un casque de sécurité de Klein, alignez la fixation pivotante **24** avec la fente pour accessoires **6** de Klein Tools située sur le casque et poussez jusqu'à ce qu'un « clic » se fasse entendre.

Pour retirer la lampe frontale, poussez sur la languette de dégagement **19**, puis dégagez la lampe frontale de la fente pour accessoires.

## AUTOCOLLANTS RÉFLÉCHISSANTS (FIG. C)

Les casques de sécurité de type 2 de Klein Tools sont offerts avec des autocollants réfléchissants **15** installés en usine. NE RETIREZ ET NE REPOSITIONNEZ PAS ces autocollants sur le casque de sécurité.

⚠ **AVERTISSEMENT** : Klein Tools N'APPROUVE PAS l'application d'autocollants, de marquages à chaud, d'encres et de feuilles métalliques sur ce casque de chantier par les utilisateurs finaux. De telles modifications peuvent influencer l'efficacité du casque de chantier.

## VISIÈRES

Des visières (optionnelles) spécialement conçues pour être installées **27** sur les casques de sécurité de Klein Tools sont également offertes en modèles transparents ou teintés (en gris). Consultez la section ACCESSOIRES ET PIÈCES DE RECHANGE pour connaître les modèles offerts.